

playmobil®
6193

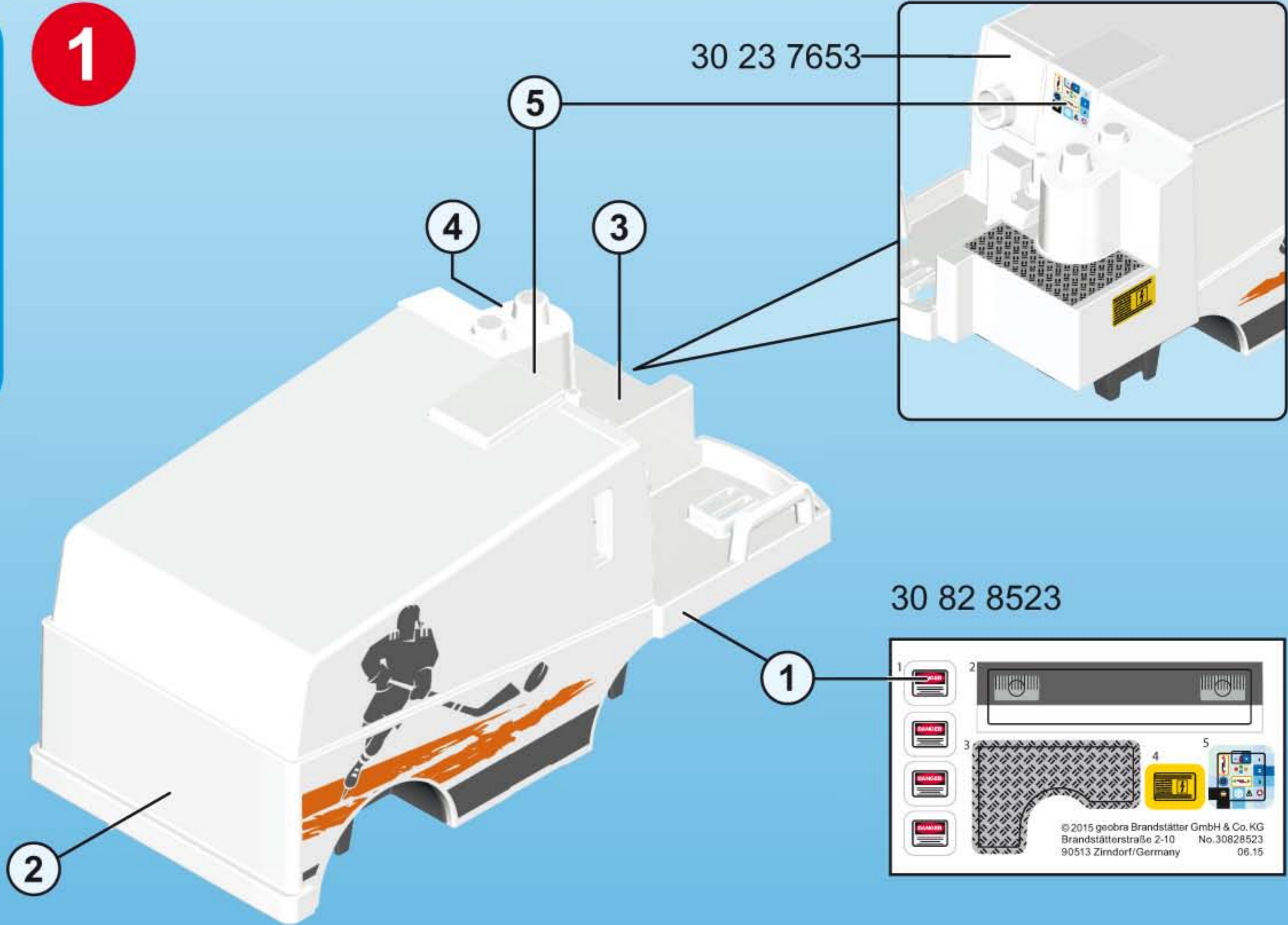
 **WARNING:**
CHOKING HAZARD
Small parts. Not for children under 3 years.

Wichtige Unterlagen, bitte sorgfältig aufbewahren !
Important: Please keep these instructions for future reference !
Documents importants, à conserver soigneusement !
Belangrijke documenten, bewaar deze zorgvuldig !

”Ne concerne que les USA“



1



www.playmobil.com

2

4x

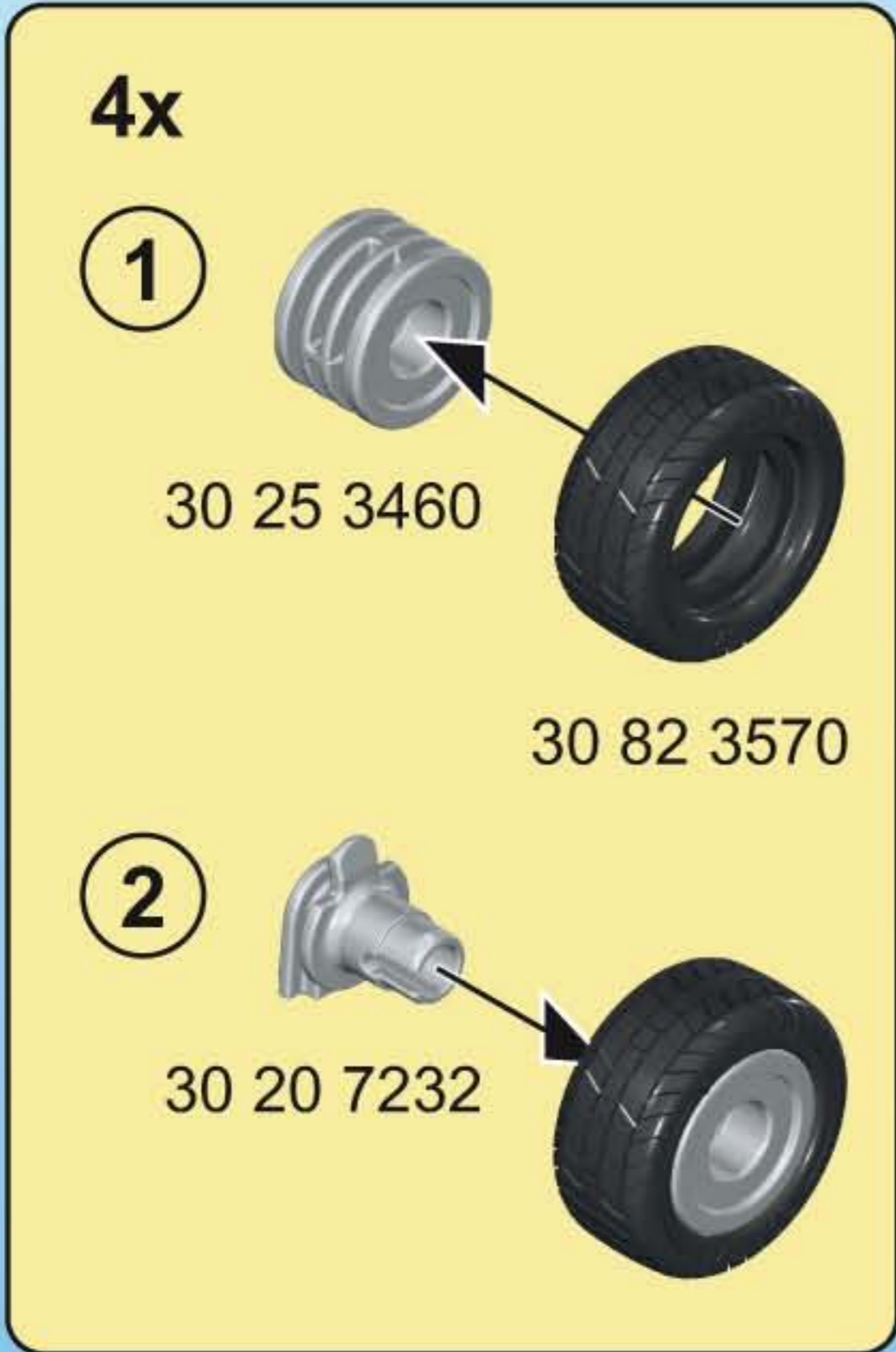
1

30 25 3460

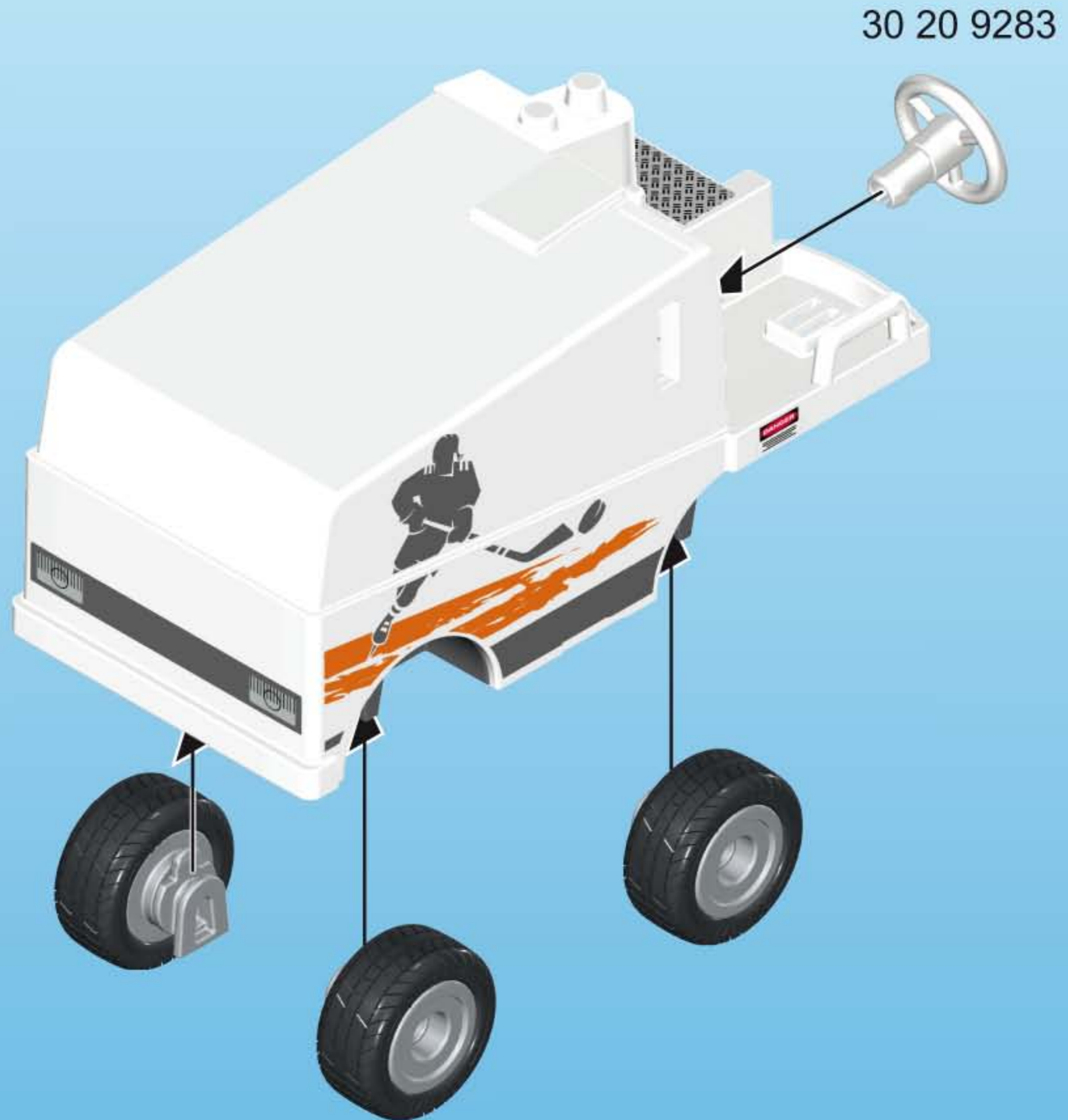
30 82 3570

2

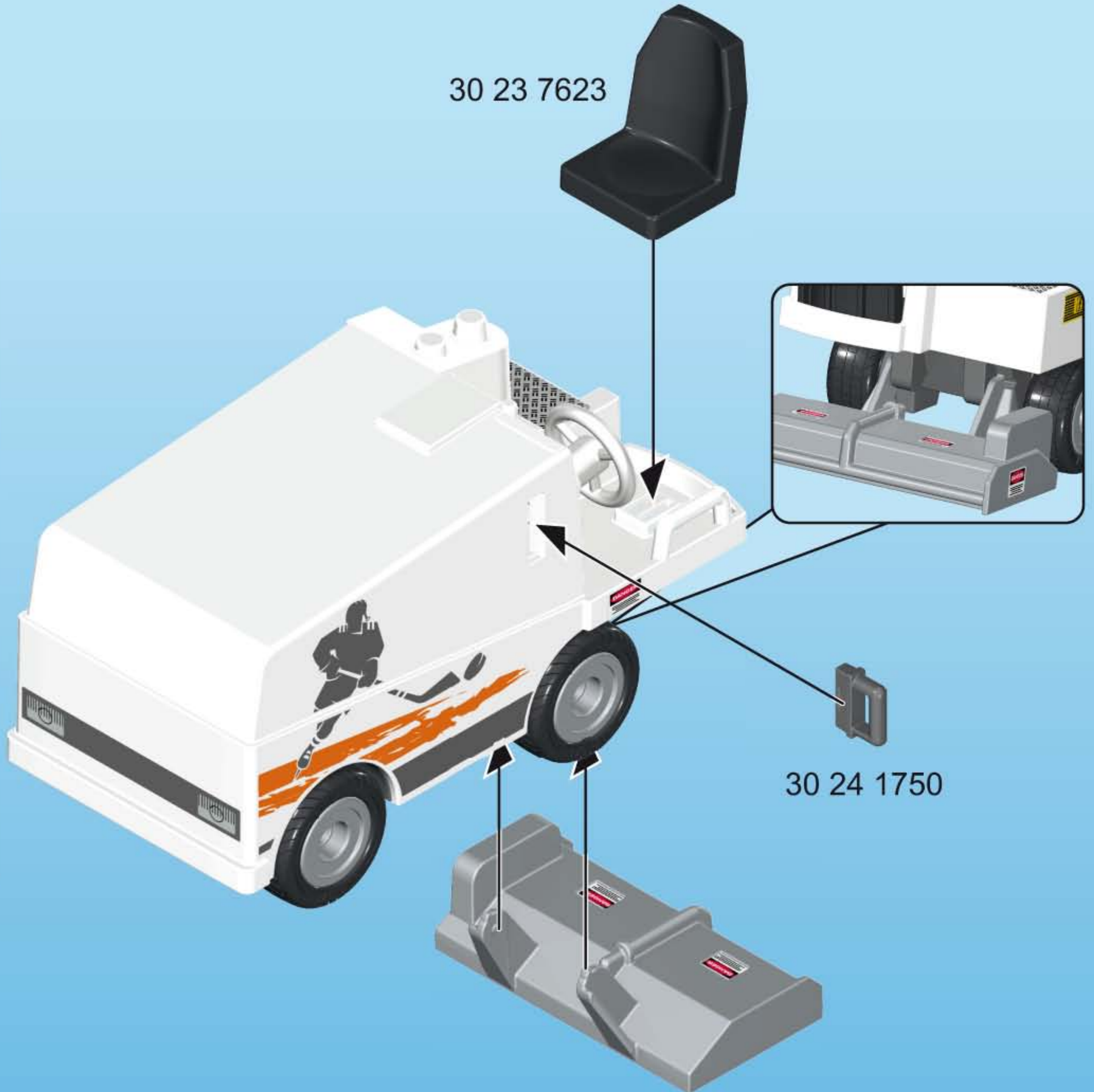
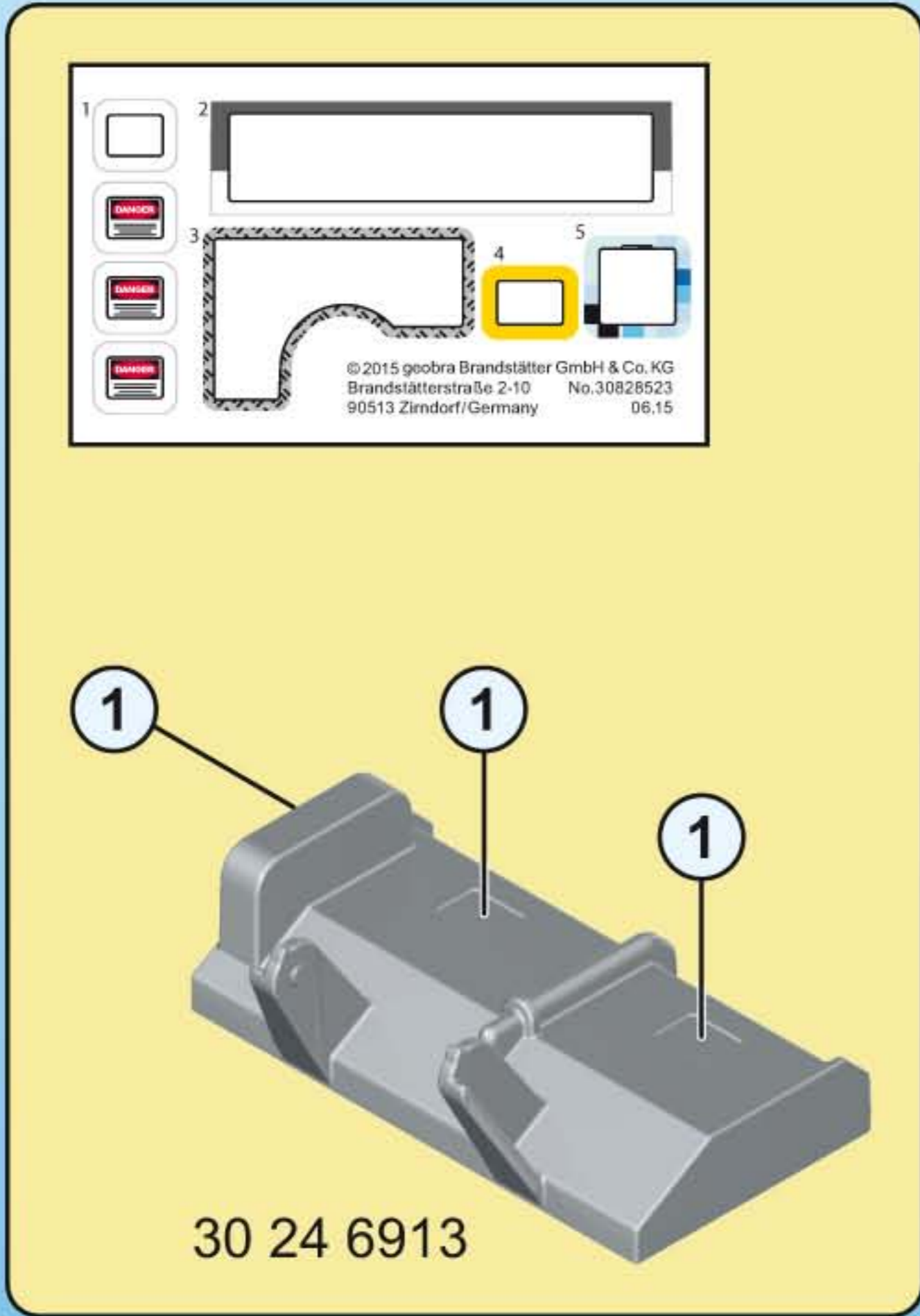
30 20 7232



This inset box contains a parts list for step 2. It specifies that 4 units of two different wheel assemblies are required. The first assembly, labeled '1', consists of a grey axle connector (part 30 25 3460) and a black tire with a grey rim (part 30 82 3570). The second assembly, labeled '2', consists of a grey axle connector (part 30 20 7232) and a black tire with a grey rim.



3



3

2x 30 20 4862



30 09 6680



30 00 5603

Serviceadressen finden Sie in allen Playmobil-Prospekten

Addresses of Customer Service Departments are shown in all Playmobil catalogues

L'adresse du service consommateurs est indiquée dans tous les catalogues Playmobil

Troverete gli indirizzi dei centri di assistenza in tutti i cataloghi Playmobil

In alle PLAYMOBIL catalogi vindt u het adres van onze klantendienst.

Las Direcciones de los Departamentos de Servicio al Consumidor se encuentran en todos los catálogos Playmobil

Η διεύθυνση του Γραφείου Εξυπηρέτησης Καταναλωτών PLAYMOBIL βρίσκεται σε όλους τους καταλόγους PLAYMOBIL.

pronounce: plāy-mō-bēēl

© 2015 geobra Brandstätter Stiftung & Co.KG
Brandstätterstr. 2-10
90513 Zirndorf, Germany.
No. 30 82 8873 06.15