

# playmobil®

## 9851



**WARNING:**  
**CHOKING HAZARD**

Small parts. Not for children under 3 years.

“Ne concerne que les USA”



Wichtige Unterlagen, bitte sorgfältig aufbewahren !  
Important: Please keep these instructions for future reference !  
Documents importants, à conserver soigneusement !  
Belangrijke documenten, bewaar deze zorgvuldig !

30 23 3140



30 21 6140

30 29 8250



30 29 8240

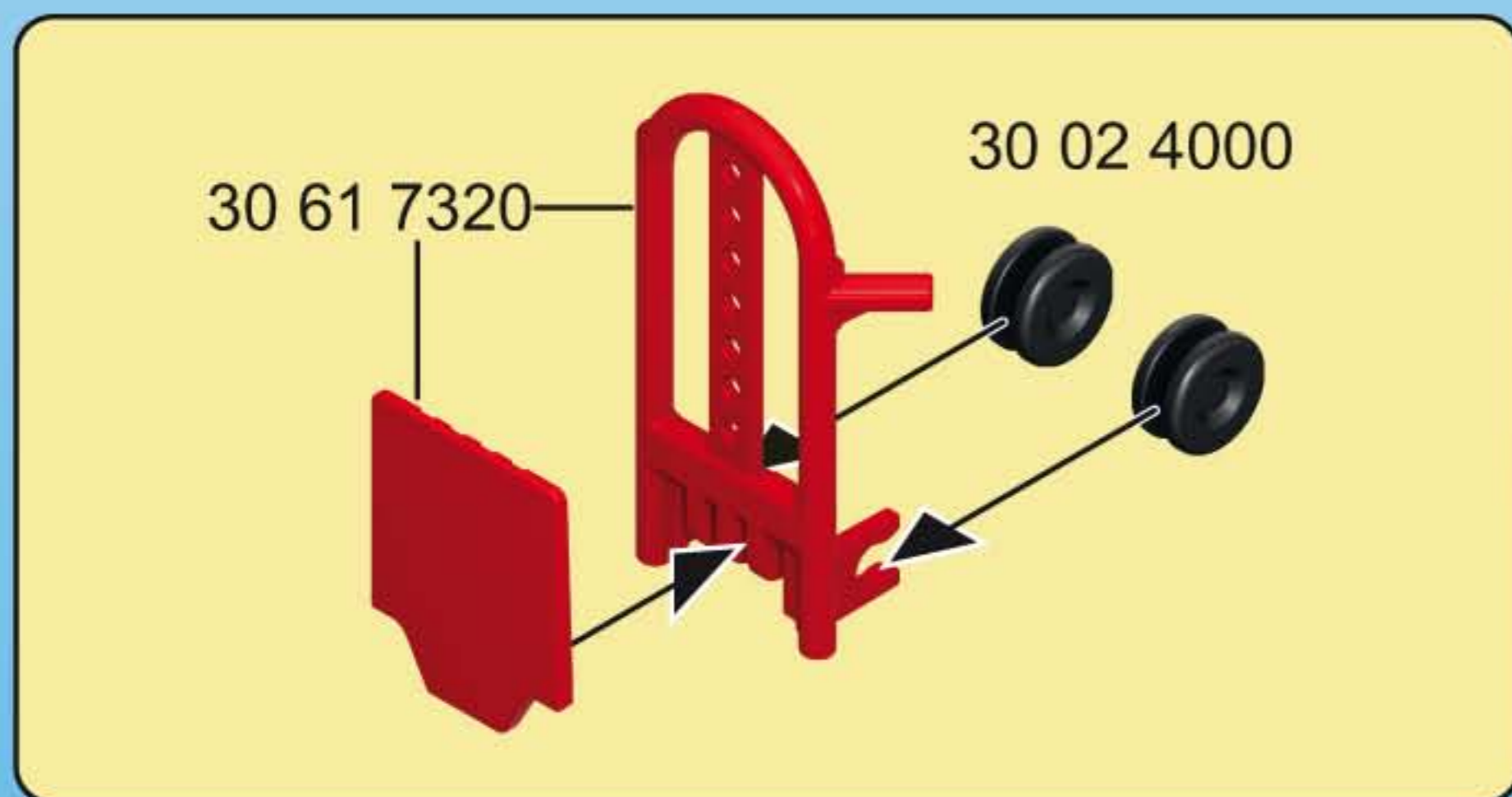
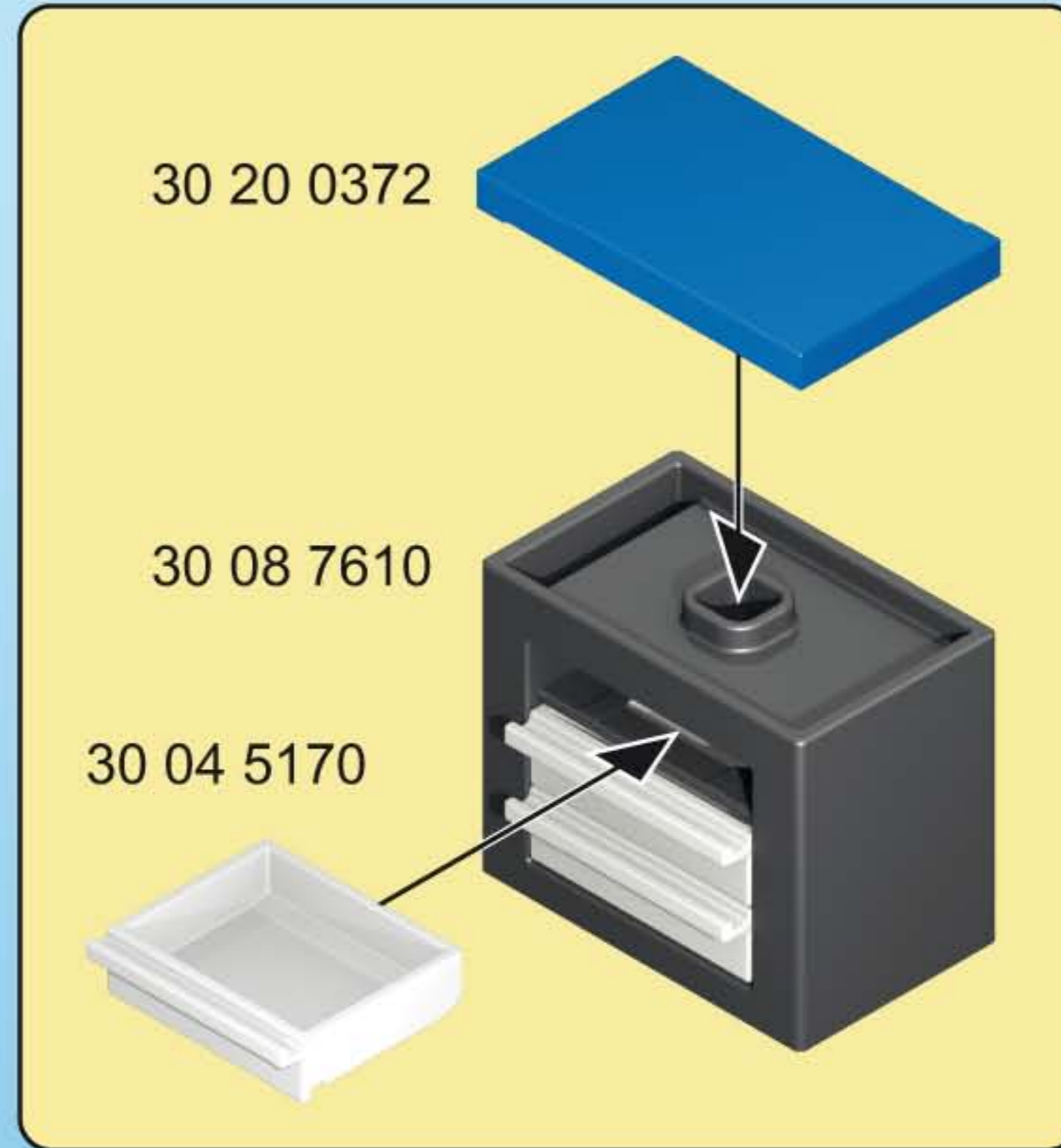
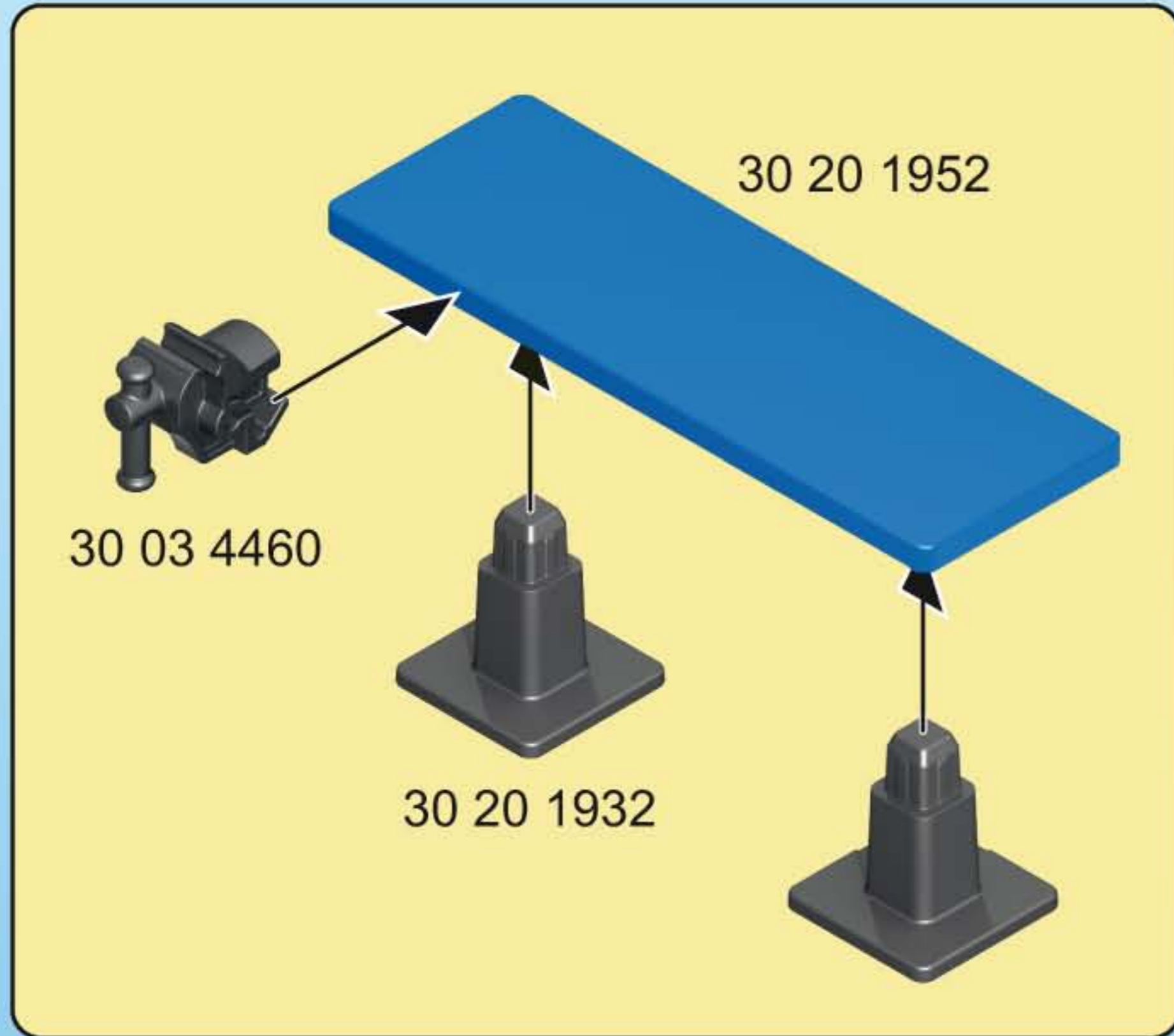
30 21 6160

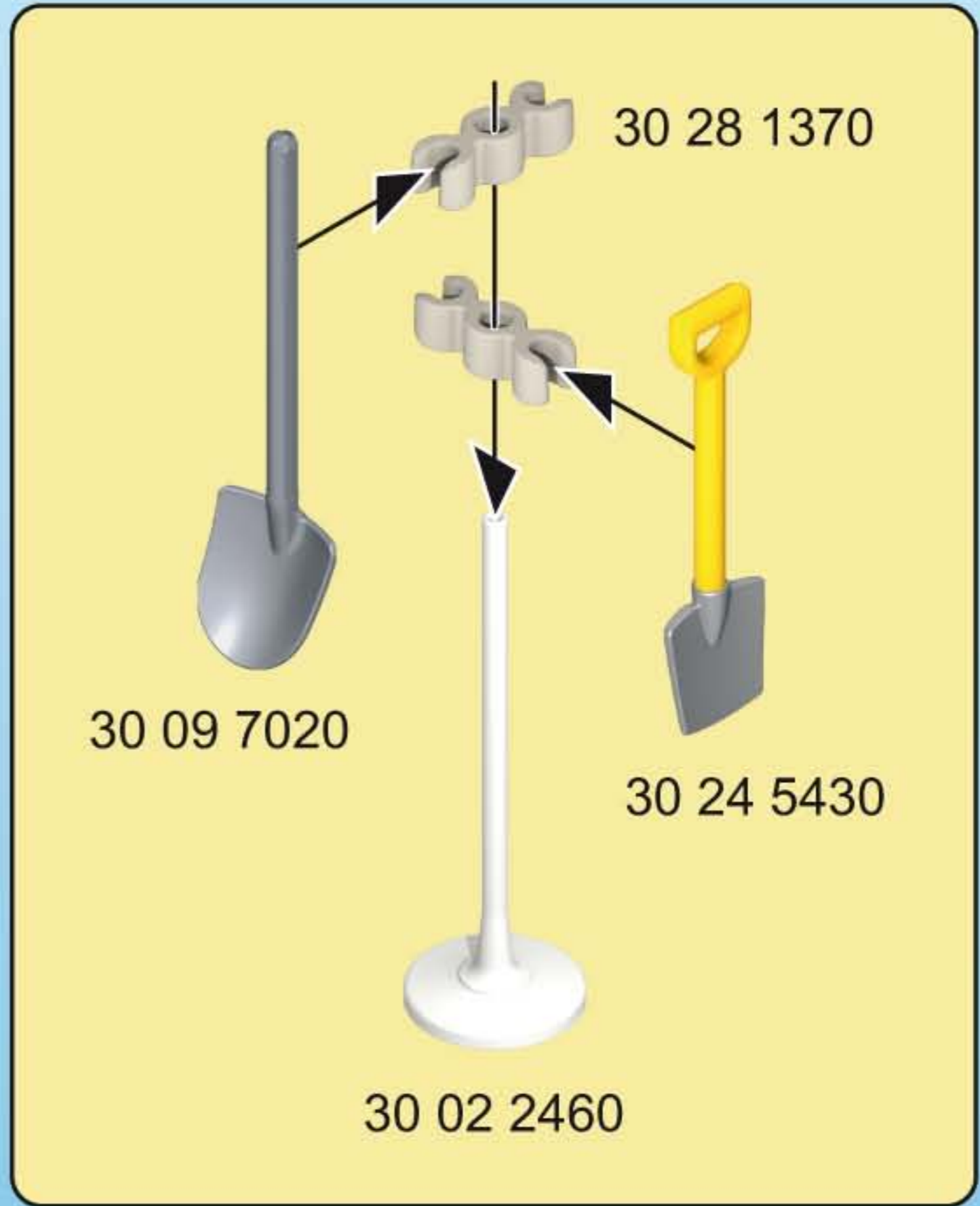
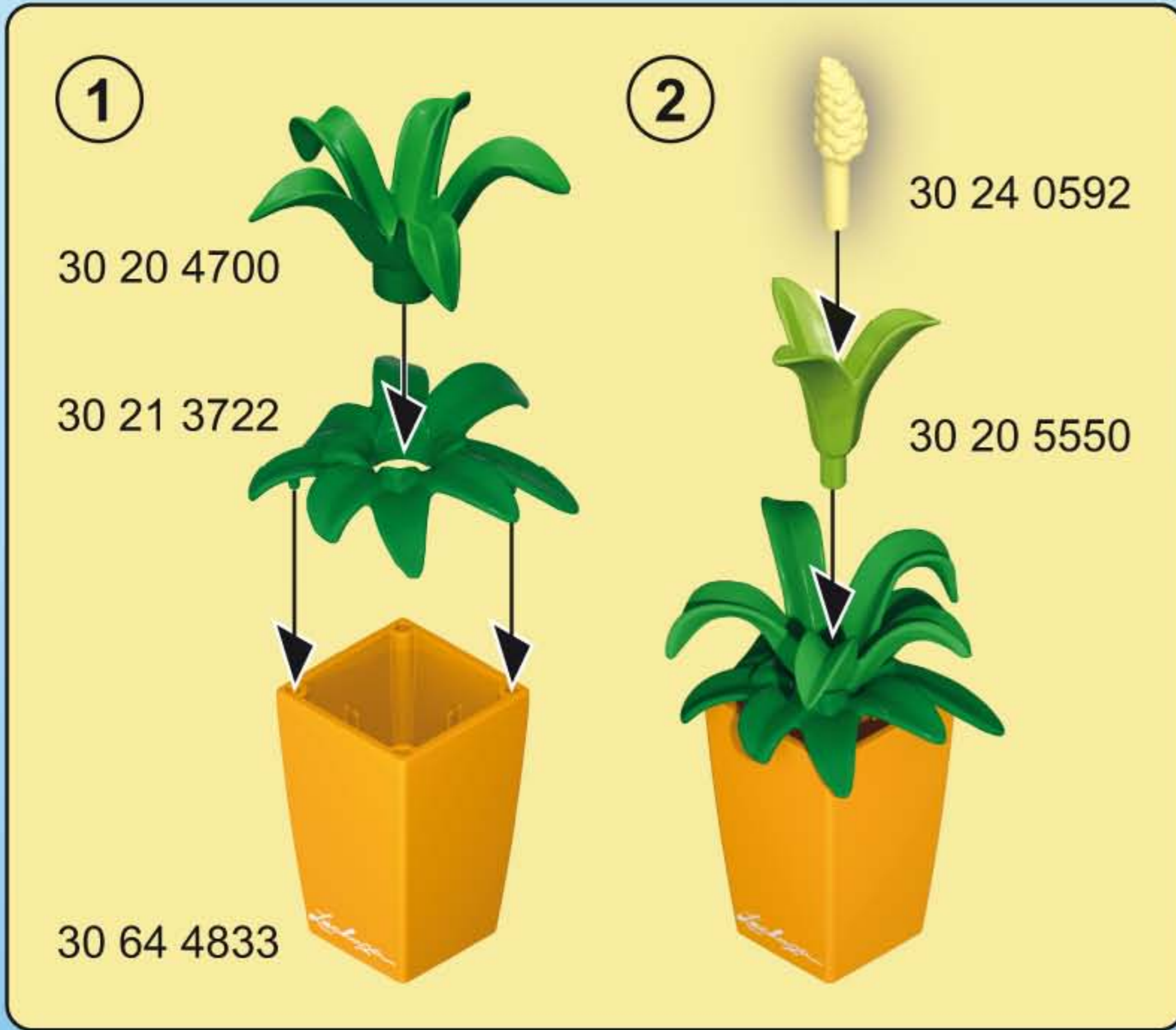


30 21 6170

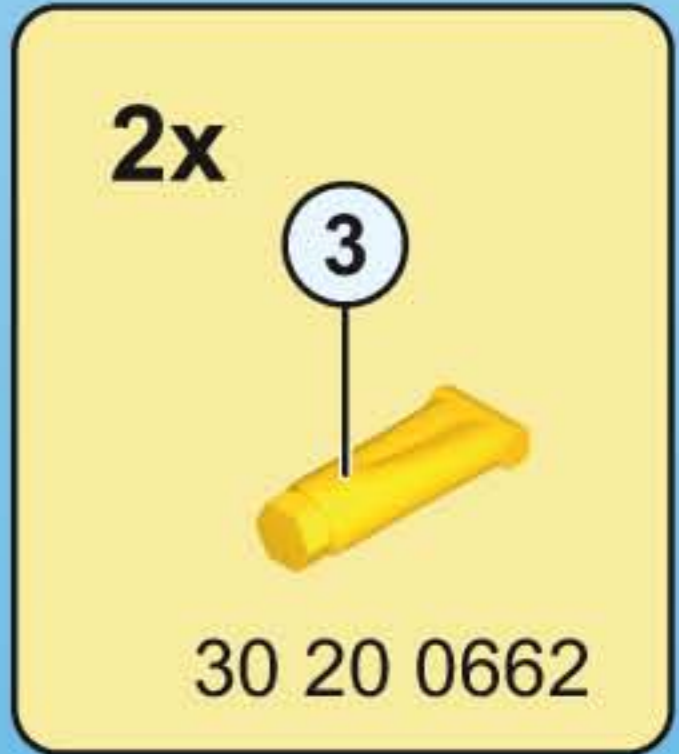
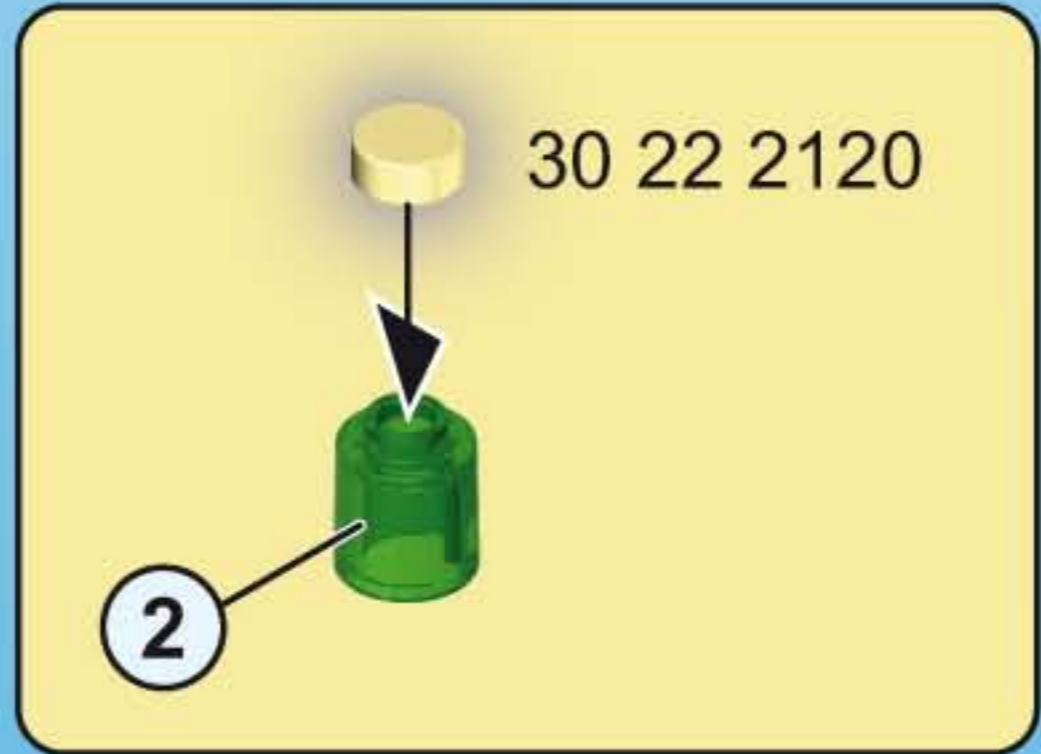
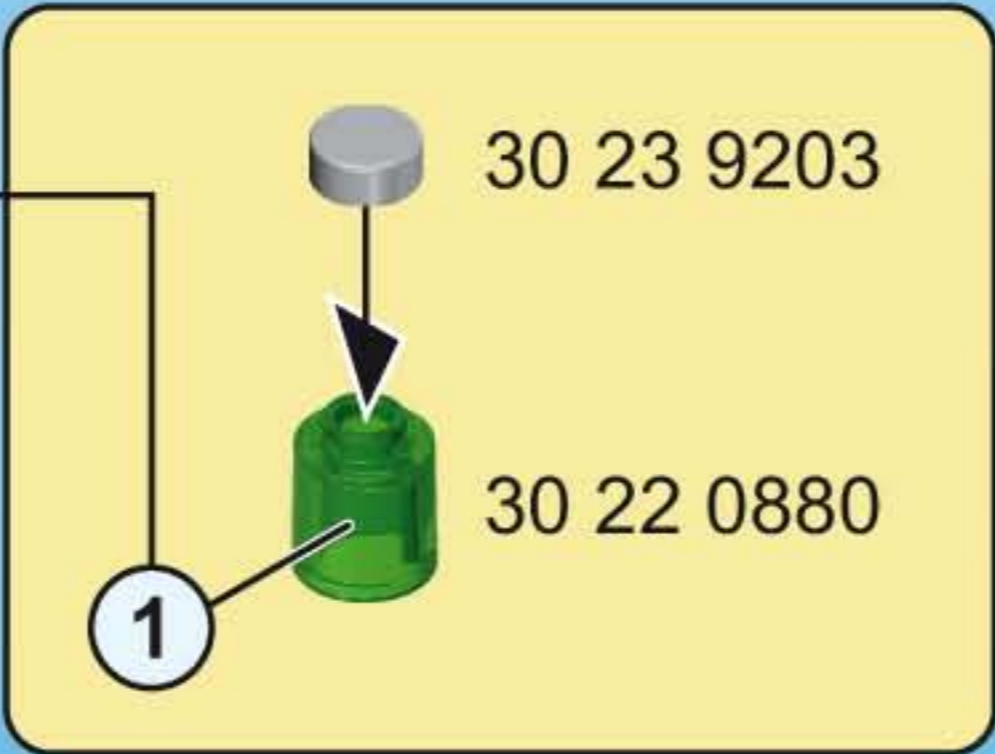


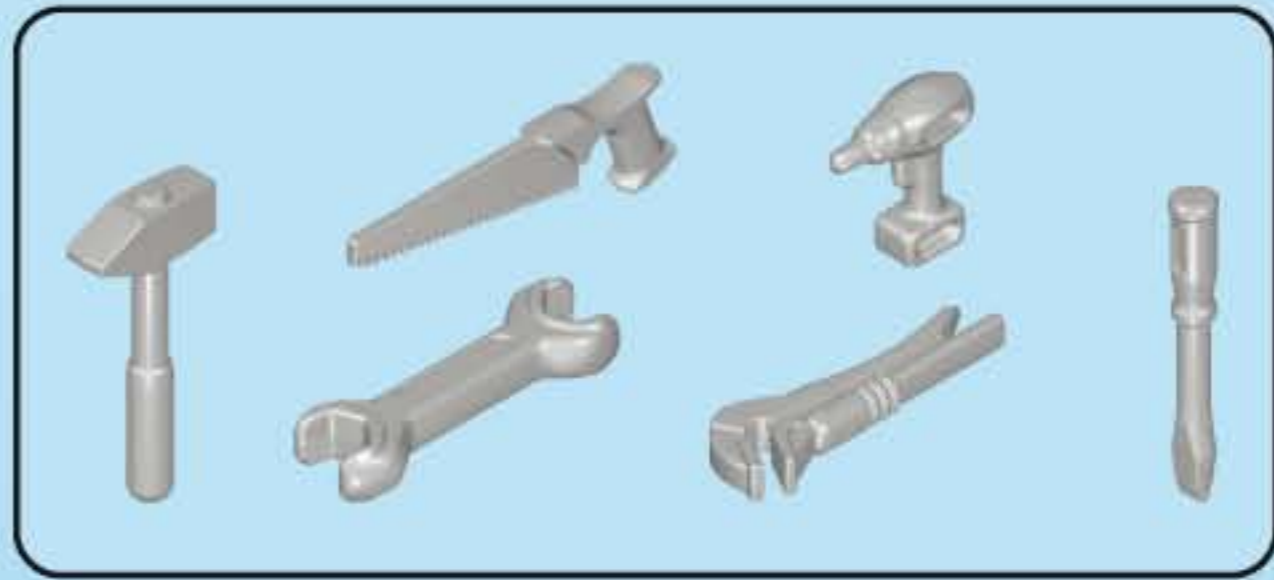
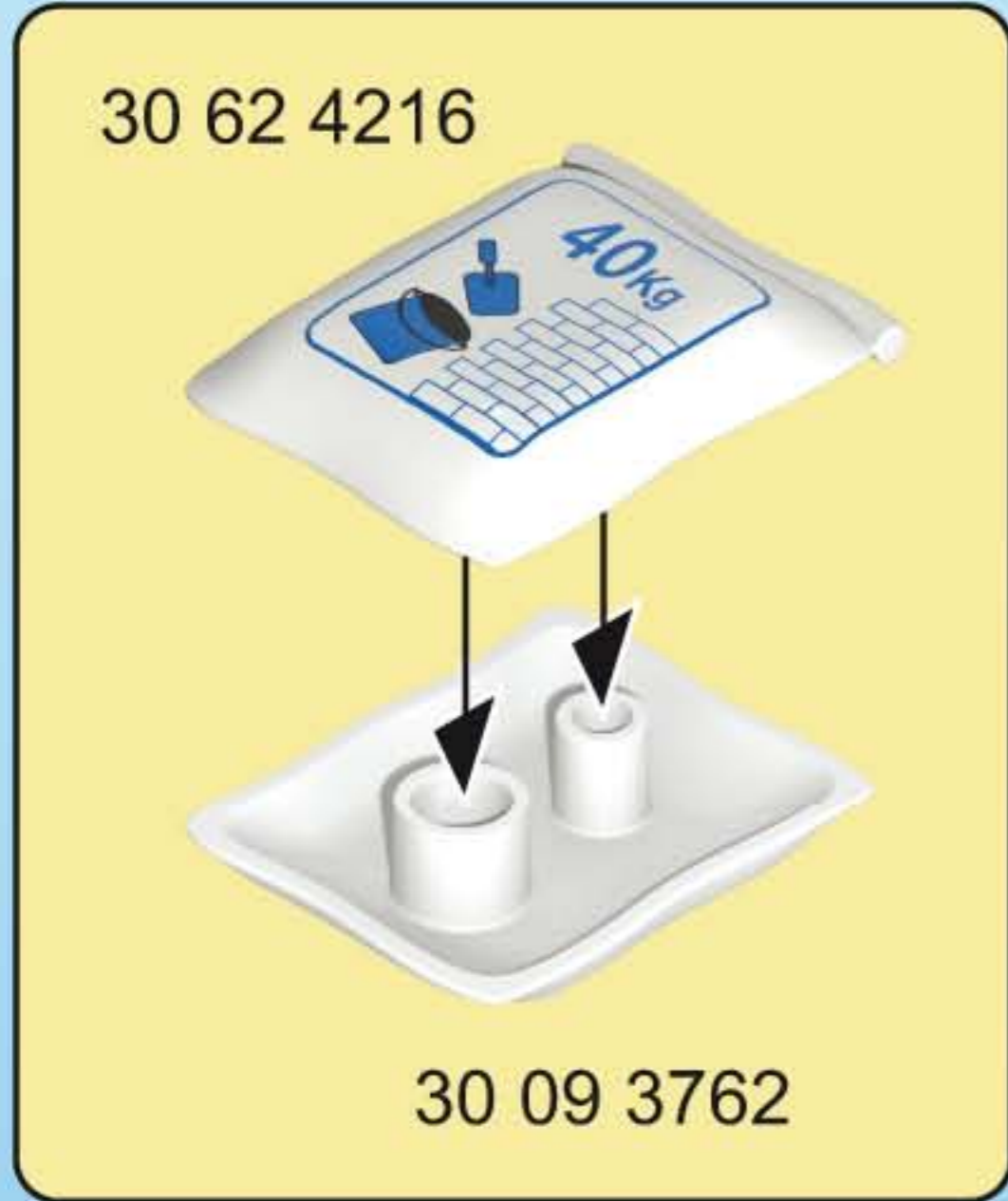
[www.playmobil.com](http://www.playmobil.com)





30 82 5205

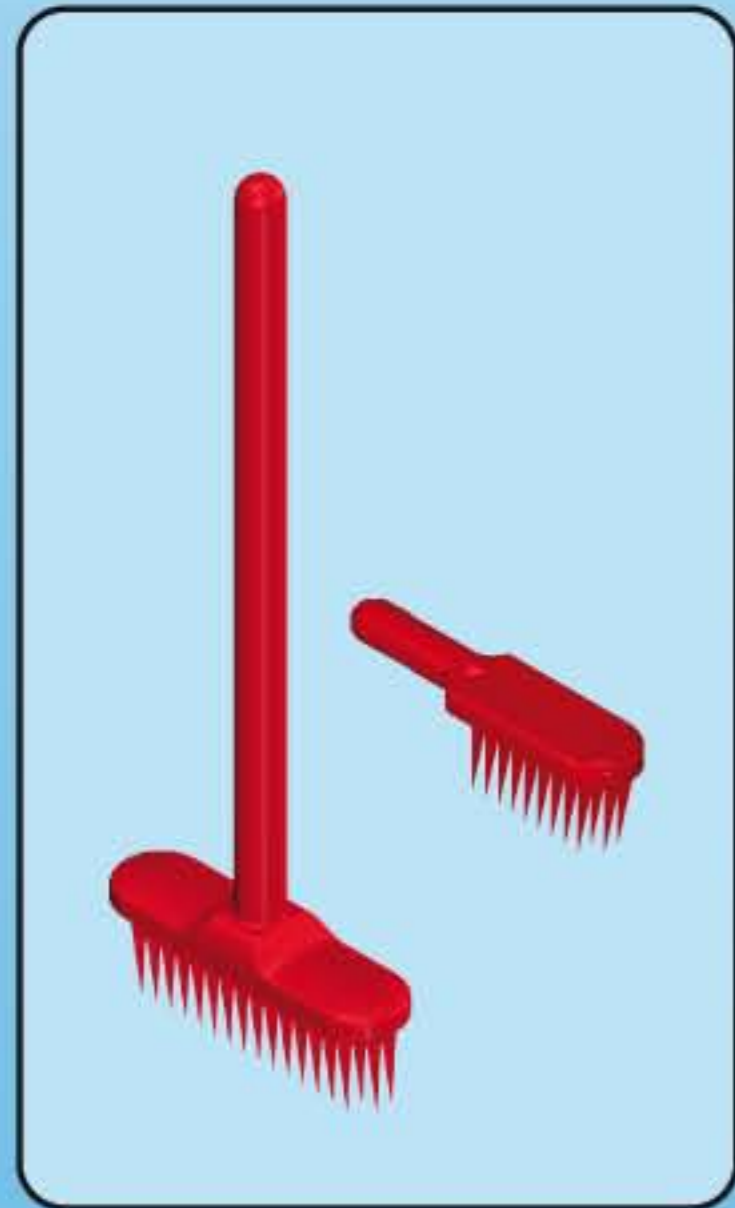




30 51 9930



30 51 6740



30 60 9090



30 20 0222

30 66 0720



30 21 6110

30 03 2600



30 09 8980



30 21 6150



30 21 6120

© 2019 geobra Brandstätter Stiftung & Co.KG  
 Brandstätterstr. 2-10  
 90513 Zirndorf, Germany.  
 No. 30 82 5945 03.19