

 **WARNING:**  
**CHOKING HAZARD**  
Small parts. Not for children under 3 years.

Wichtige Unterlagen, bitte sorgfältig aufbewahren!  
Important: Please keep these instructions for future reference!  
Documents importants, à conserver soigneusement!  
Belangrijke documenten, bewaar deze zorgvuldig!

"Ne concerne que les USA"



© 2018 Geobra Brandstätter Stiftung & Co. KG  
Brandstätterstraße 2-10 No.30801155  
90513 Zirndorf/Germany 07.17

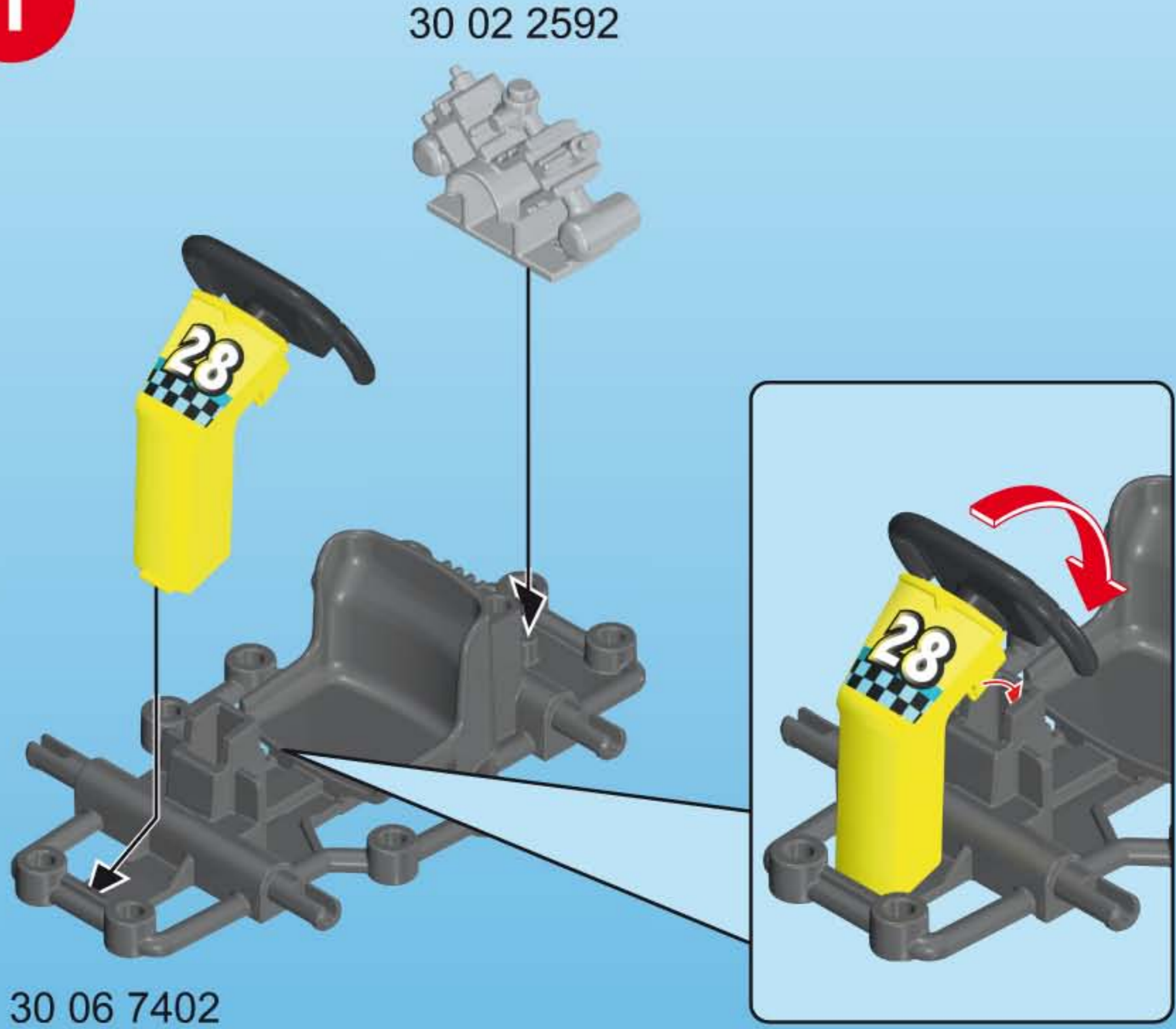
1 28 3 4 28 7  
2 5 6 28

30 80 1155

1 30 02 2582

30 06 7412

**1**



30 02 2592

30 06 7402







© 2018 geobra Brandstätter Stiftung & Co. KG  
 Brandstätterstraße 2-10 No.30801155  
 90513 Zirndorf/Germany 07.17

30 60 7402

30 60 7412

2



2



3

2x  
30 82 3360



30 02 2432

This inset shows two black wheels with grey hubs. A white arrow points to the hub of one wheel, which is being inserted into a grey axle component.

2x  
30 82 3350



30 82 3350

This inset shows two black wheels with grey hubs. A white arrow points to the hub of one wheel, which is being inserted into a grey axle component.



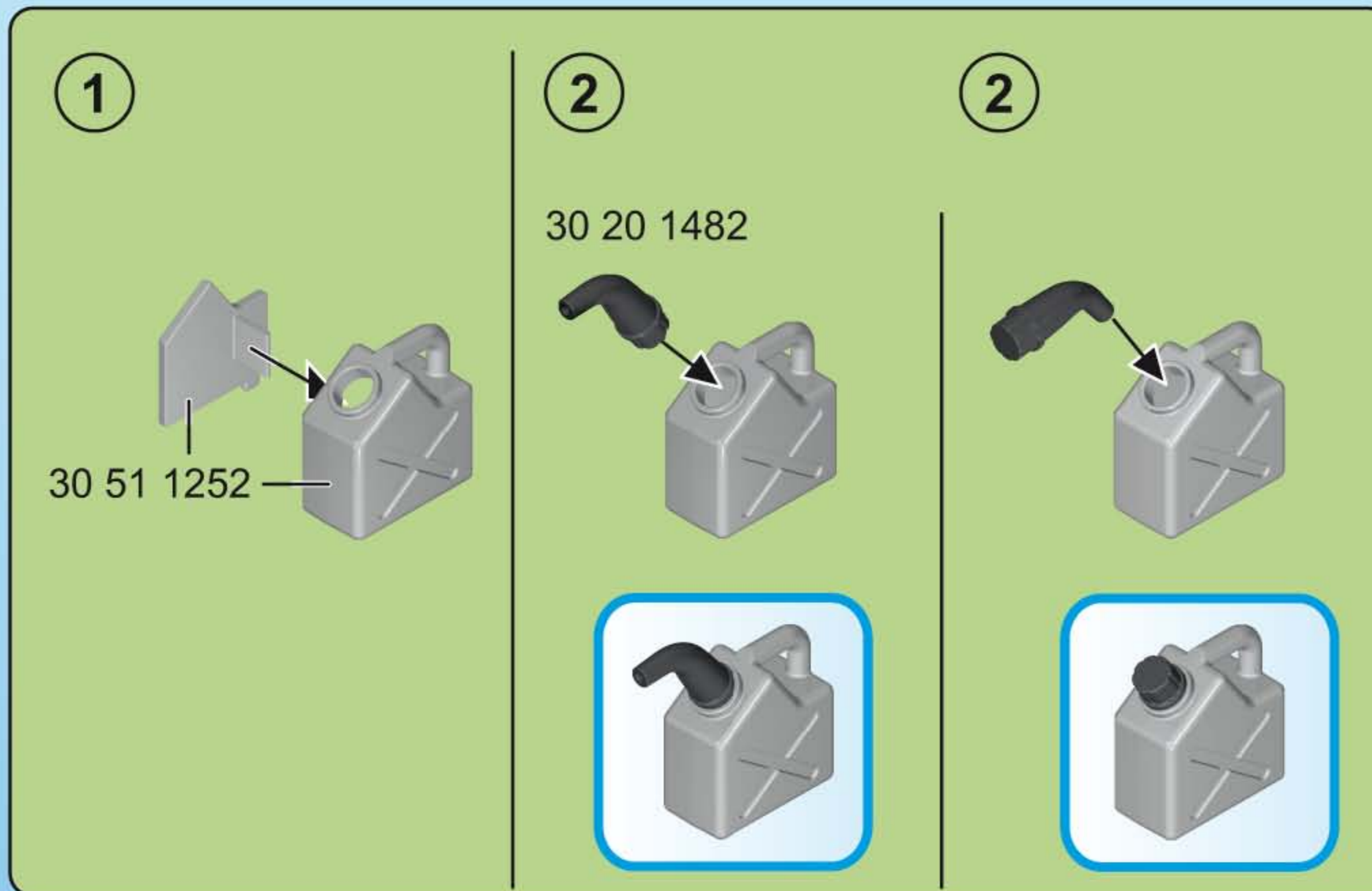




30 00 1234



4x 30 29 0220



Serviceadressen finden Sie in allen Playmobil-Prospekten

Addresses of Customer Service Departments are shown in all Playmobil catalogues

L'adresse du service consommateurs est indiquée dans tous les catalogues Playmobil

Troverete gli indirizzi dei centri di assistenza in tutti i cataloghi Playmobil

In alle PLAYMOBIL catalogi vindt u het adres van onze klantendienst.

Las Direcciones de los Departamentos de Servicio al Consumidor se encuentran en todos los catálogos Playmobil

Η διεύθυνση του Γραφείου Εξυπηρέτησης Καταναλωτών PLAYMOBIL βρίσκεται σε όλους τους καταλόγους PLAYMOBIL.

pronounce: plāy-mō-bēēl

Abbildungen können vom Original abweichen. / Product may differ from image shown.  
Les illustrations peuvent différer de l'original. / Afbeeldingen kunnen verschillen van het werkelijke artikel.

© 2017 geobra Brandstätter Stiftung & Co.KG  
Brandstätterstr. 2-10  
90513 Zirndorf, Germany.  
No. 30 80 2095 07.17