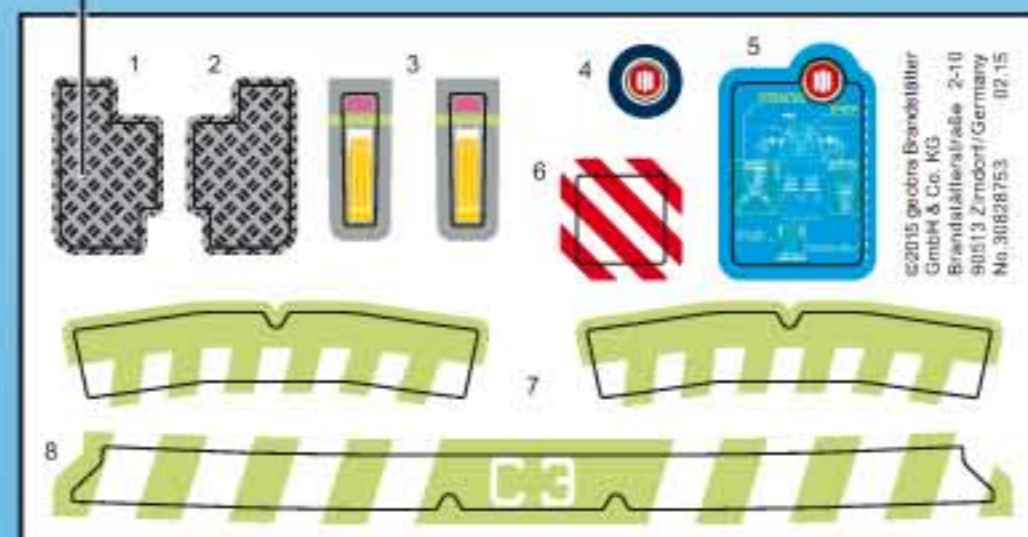
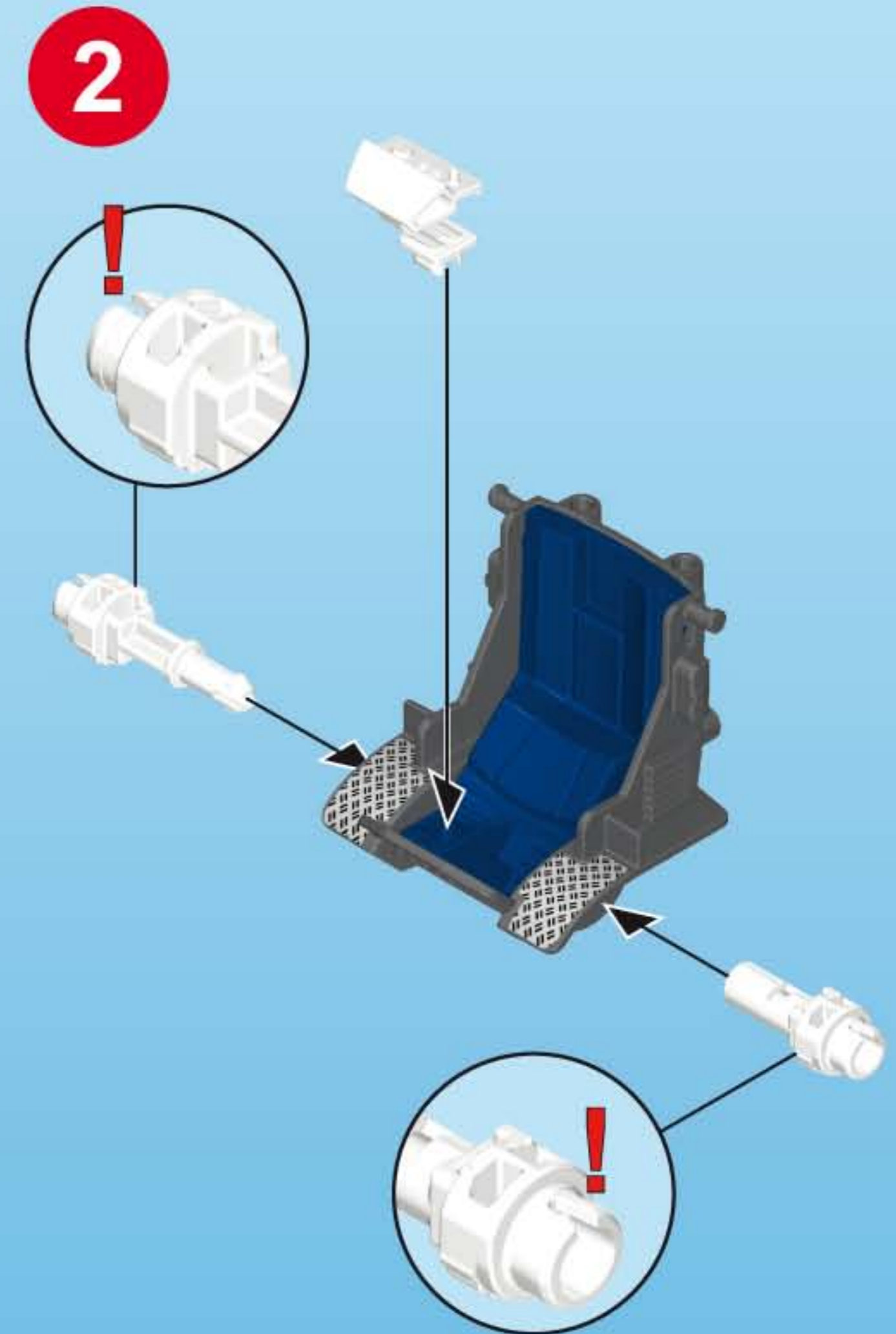
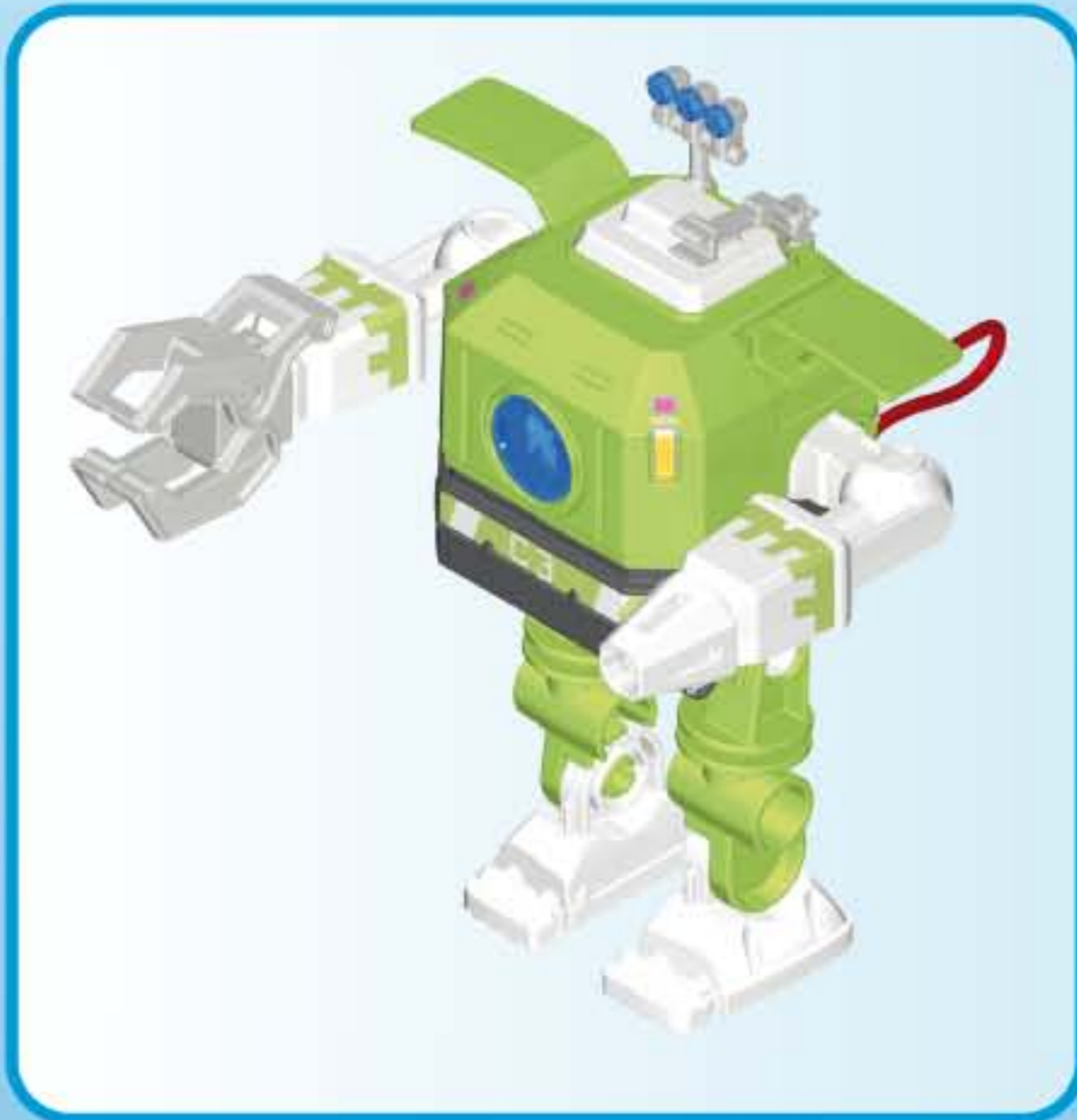


WARNING:
CHOKING HAZARD
Small parts. Not for children under 3 years.

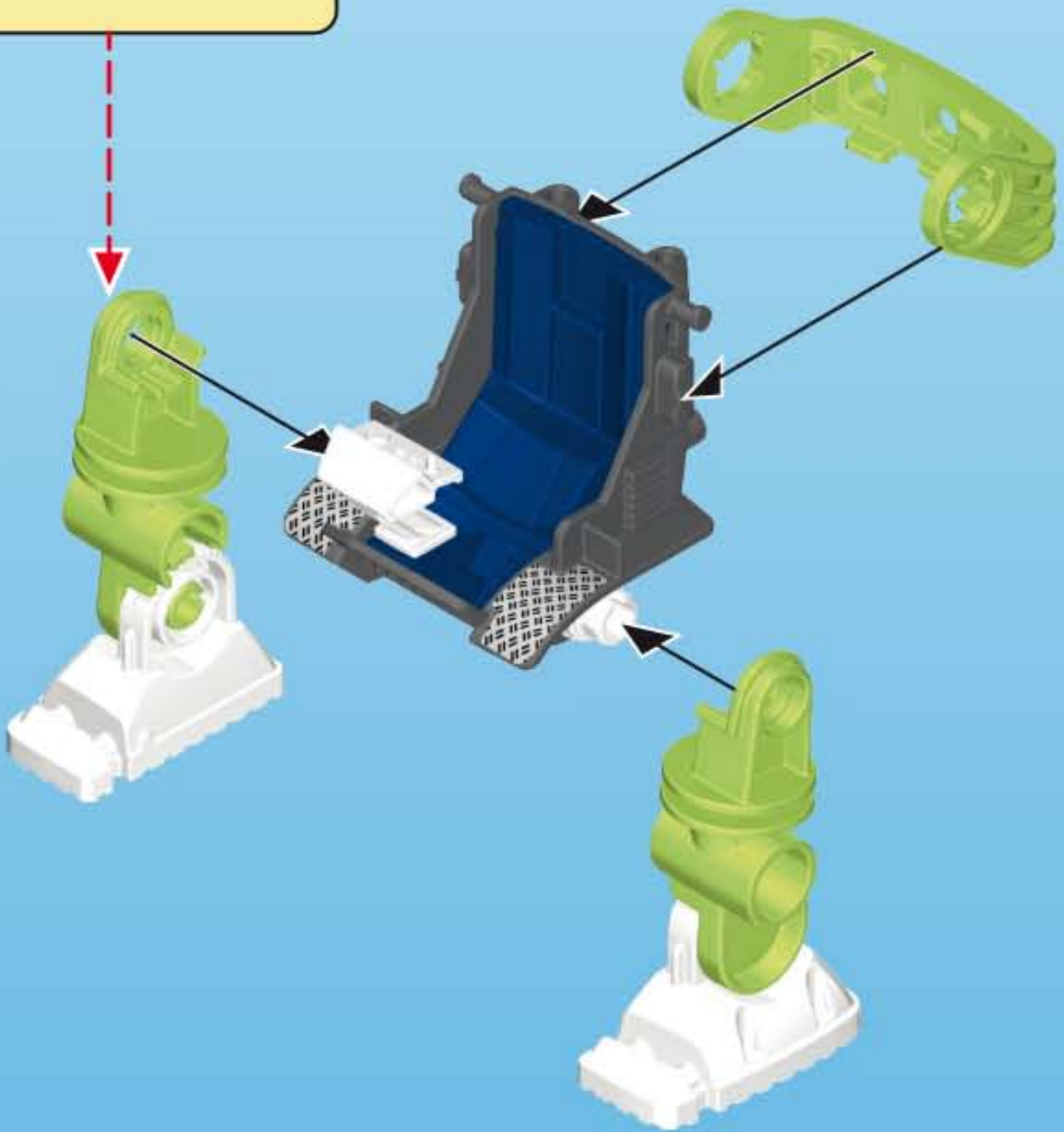
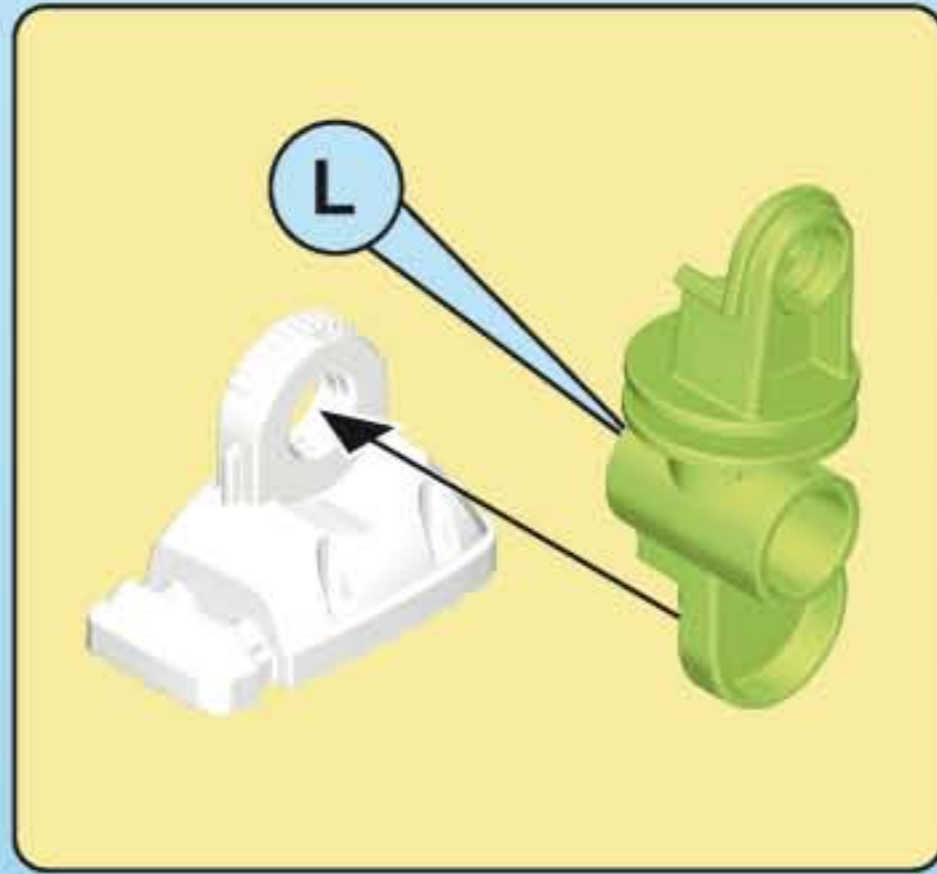
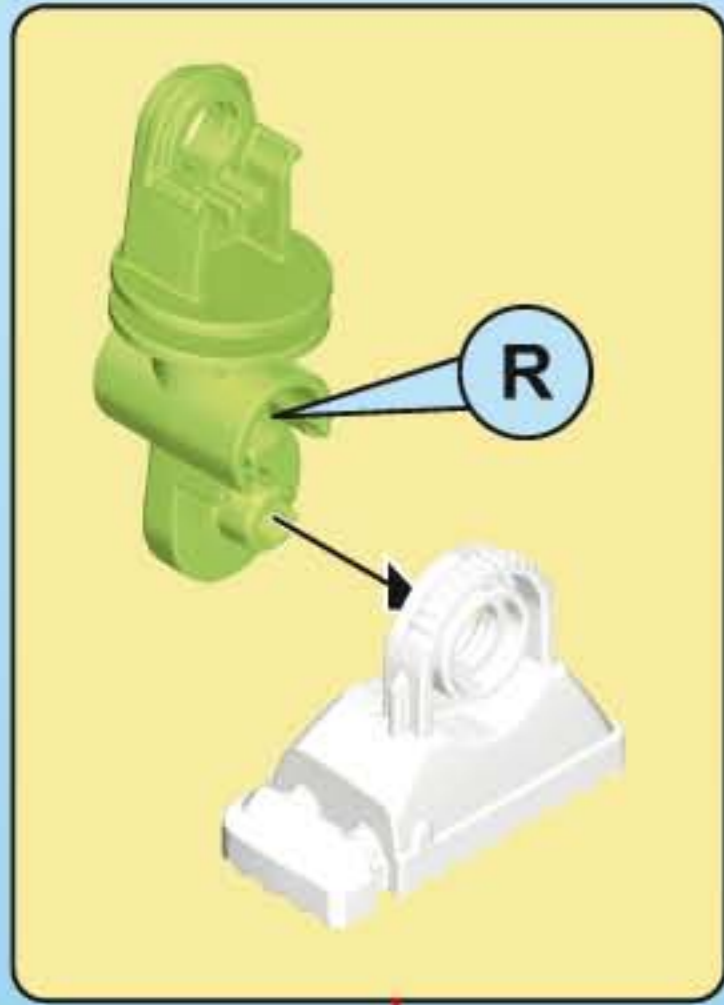
"Ne concerne que les USA"

Wichtige Unterlagen, bitte sorgfältig aufbewahren!
Important: Please keep these instructions for future reference!
Documents importants, à conserver soigneusement!
Belangrijke documenten, bewaar deze zorgvuldig!

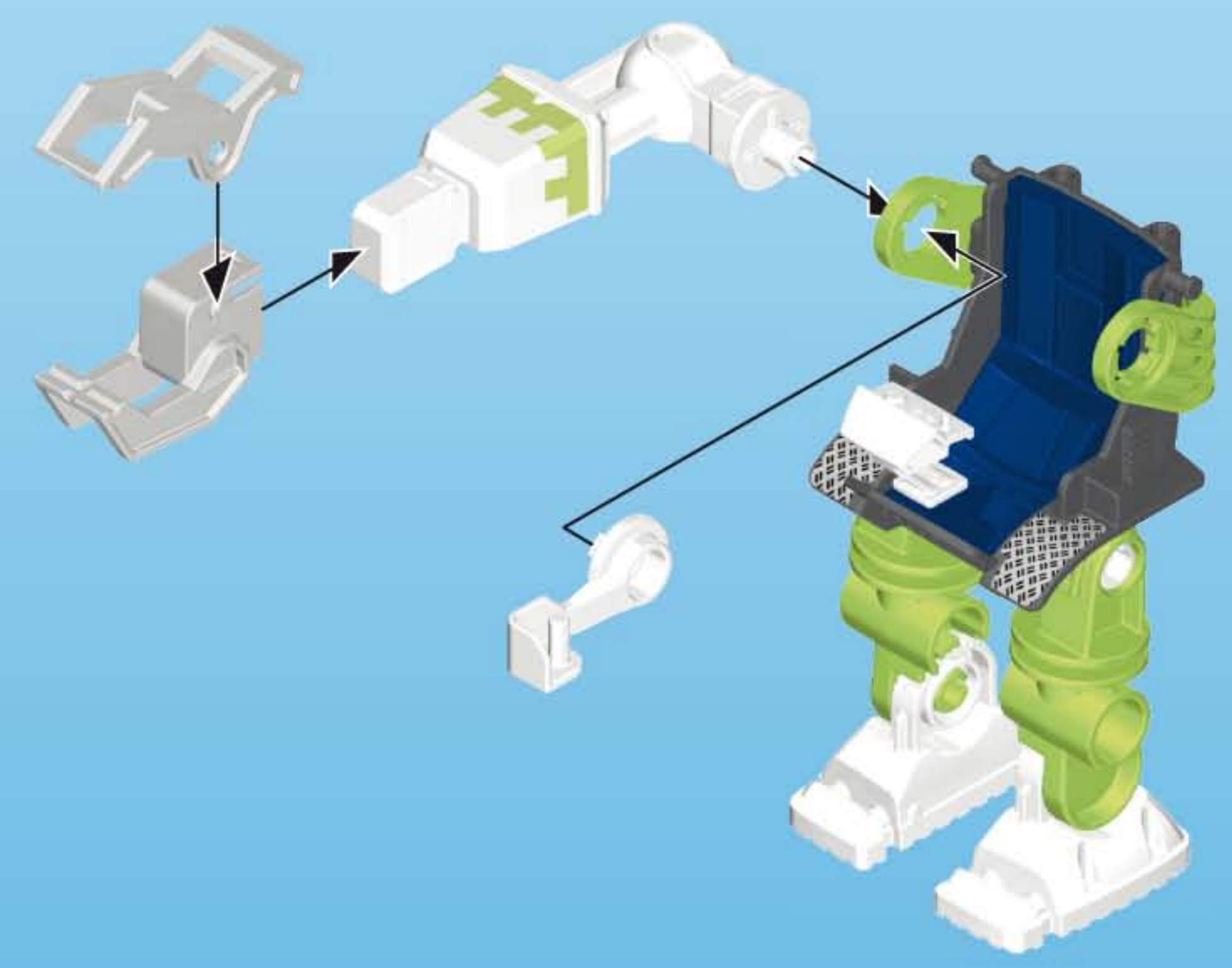
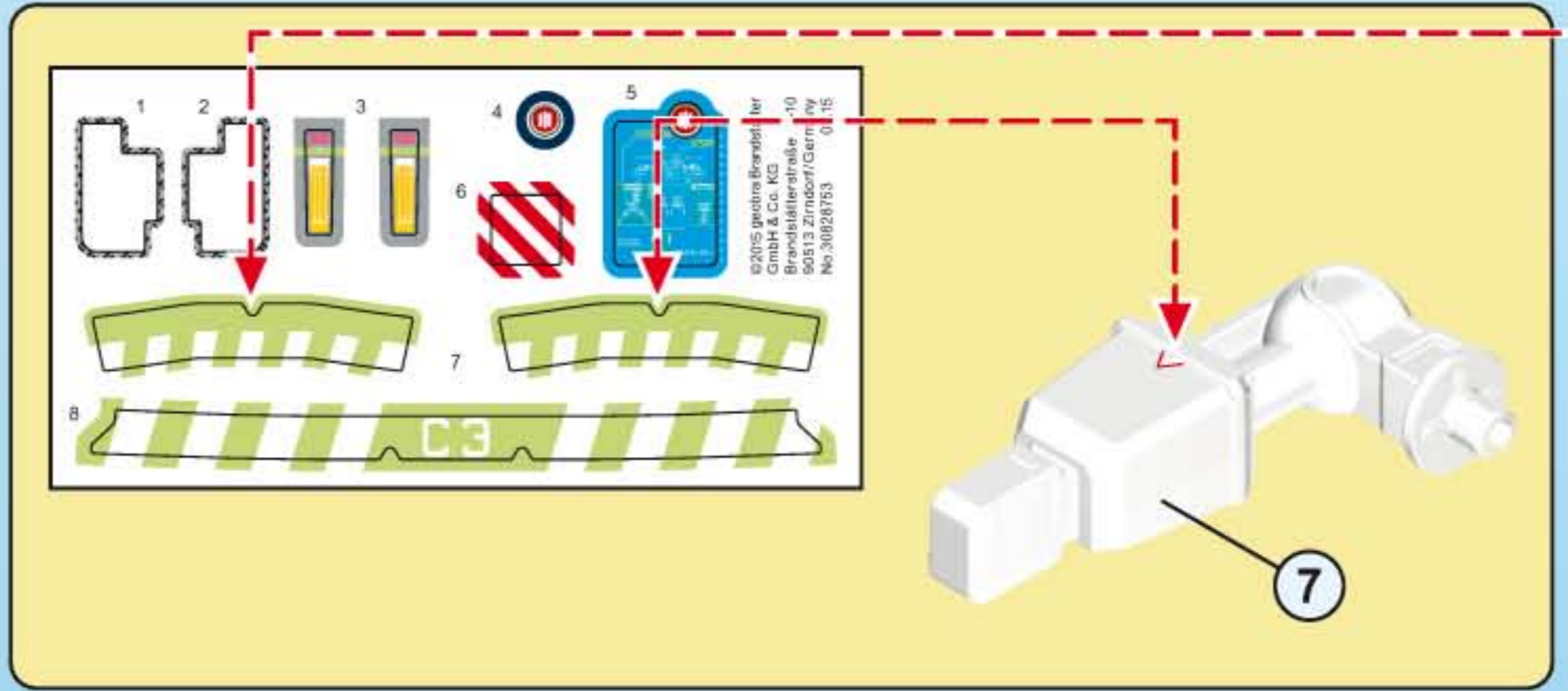


©2015 gnomon Brande/Filter
GmbH & Co. KG
Brandelallee 1/10
91013 Zimborf / Germany
No. 30828753 02.15

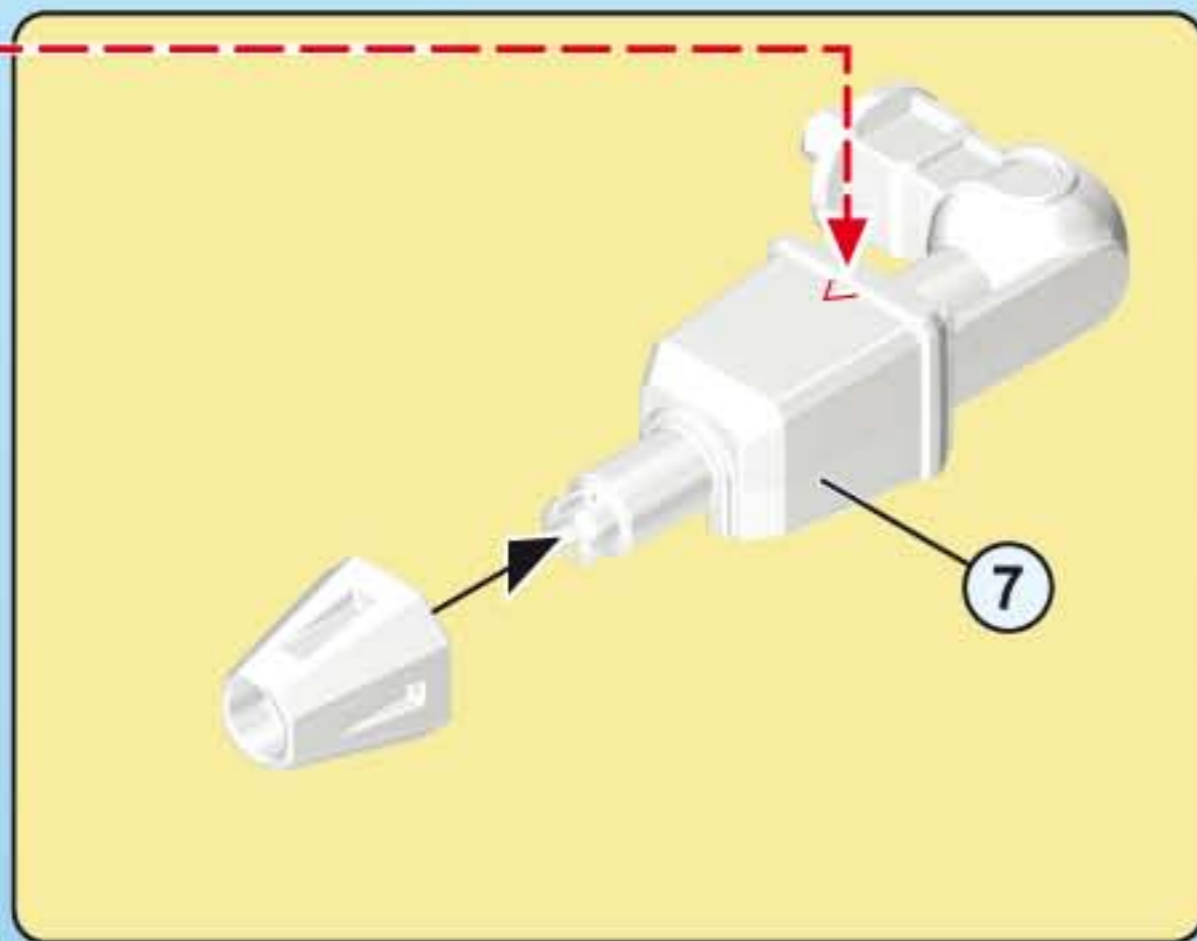
3



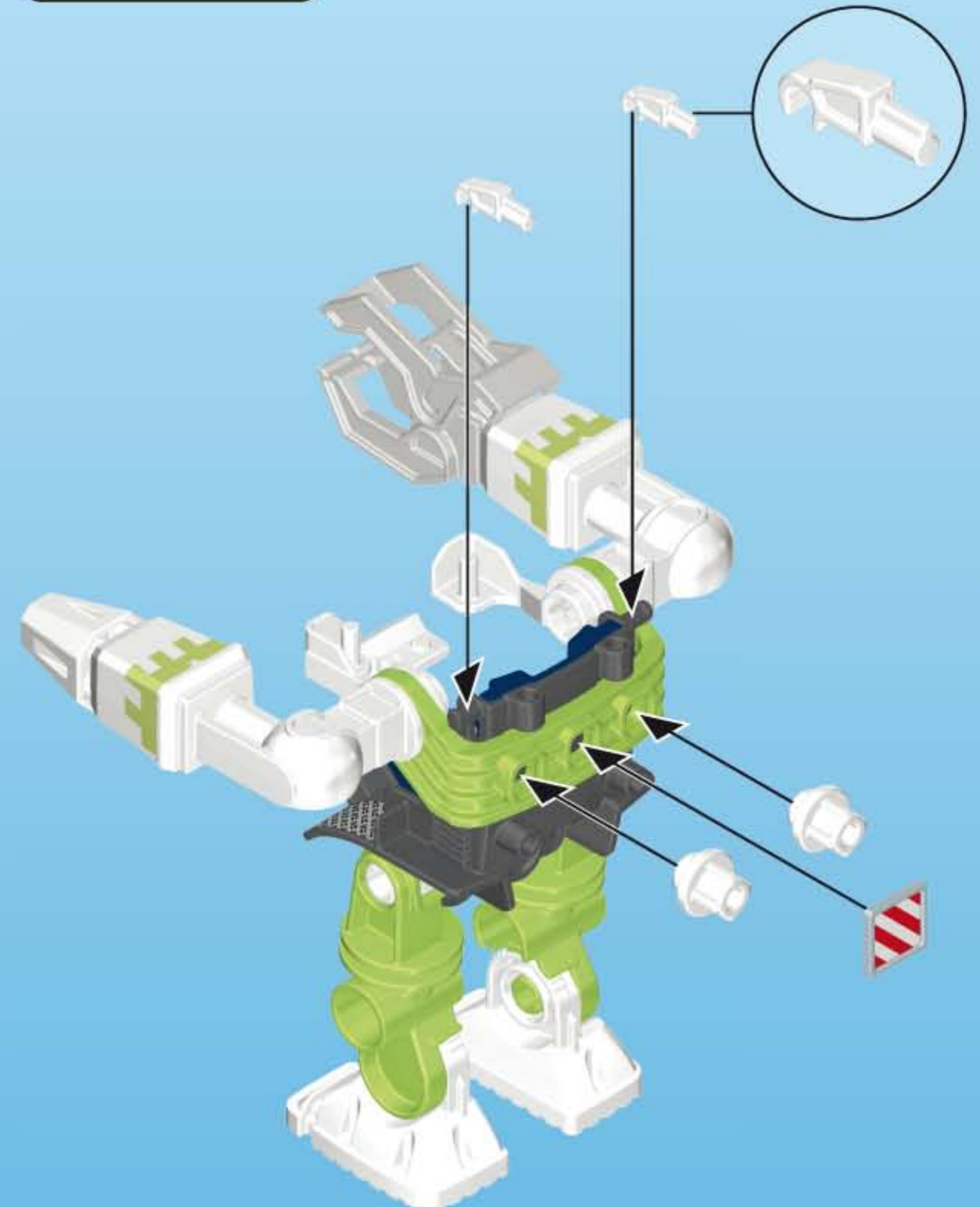
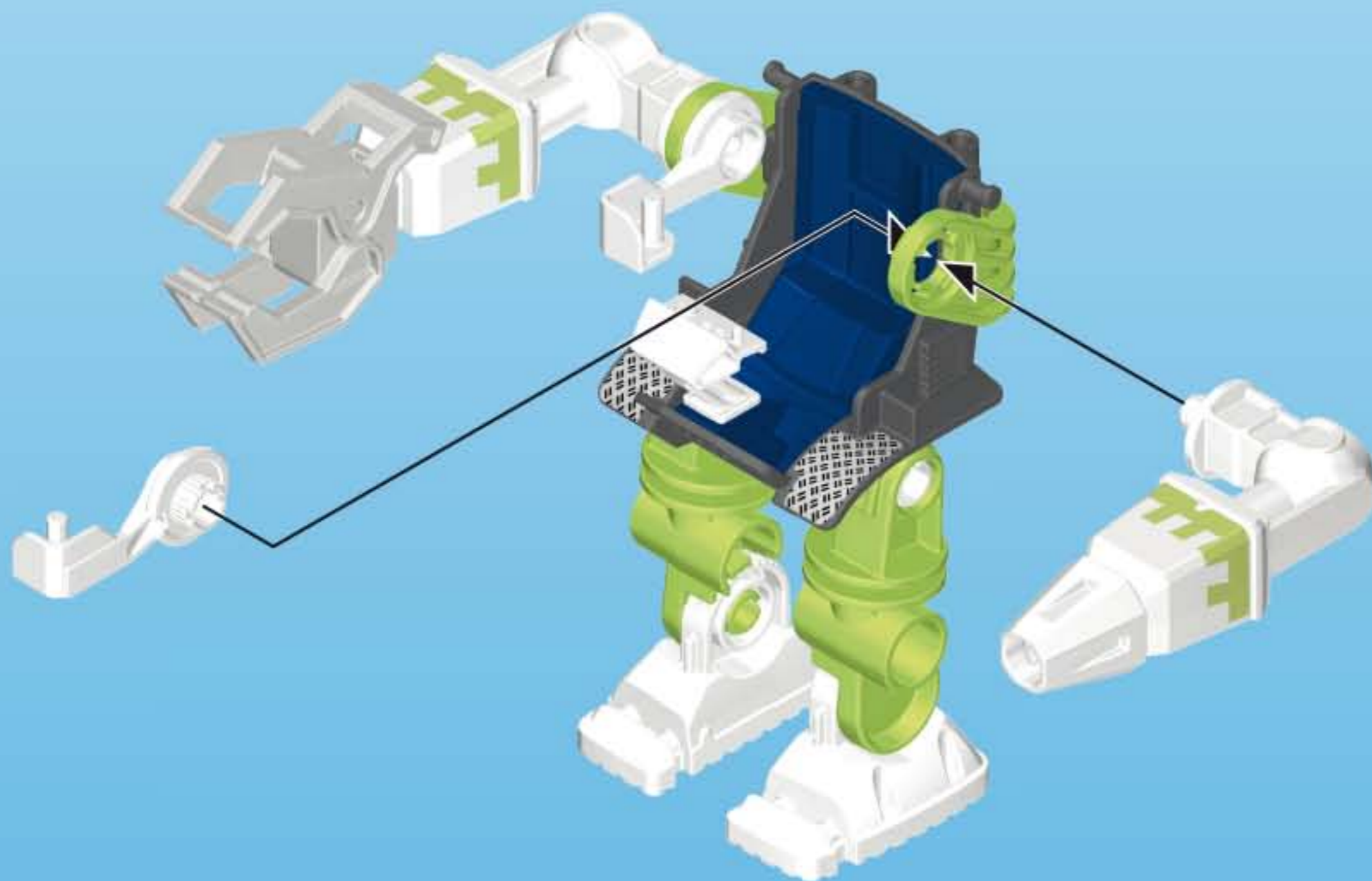
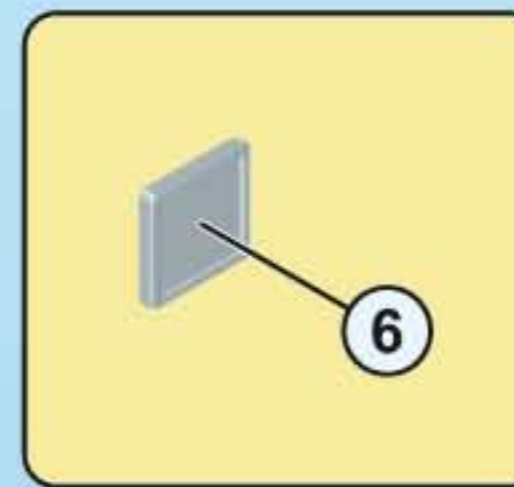
4

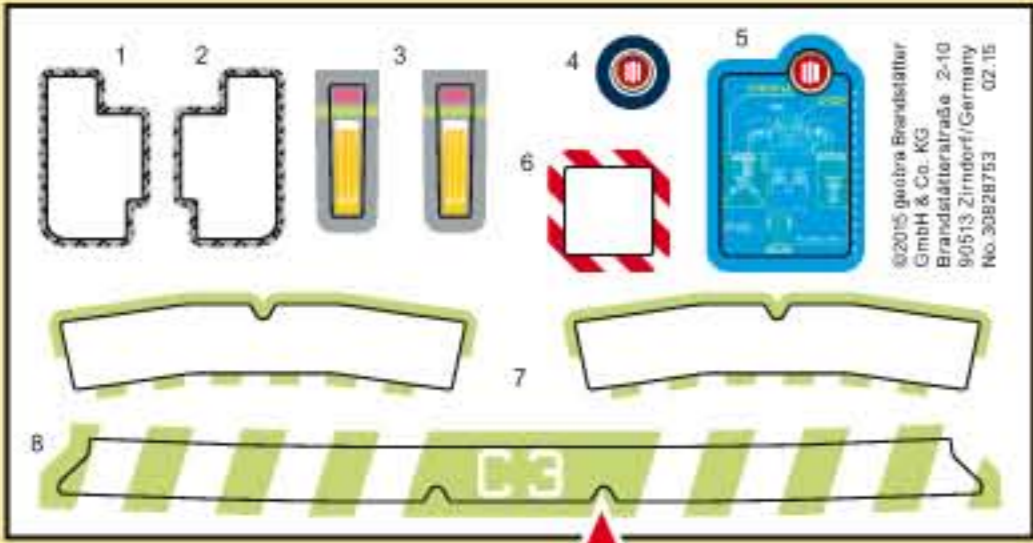


5

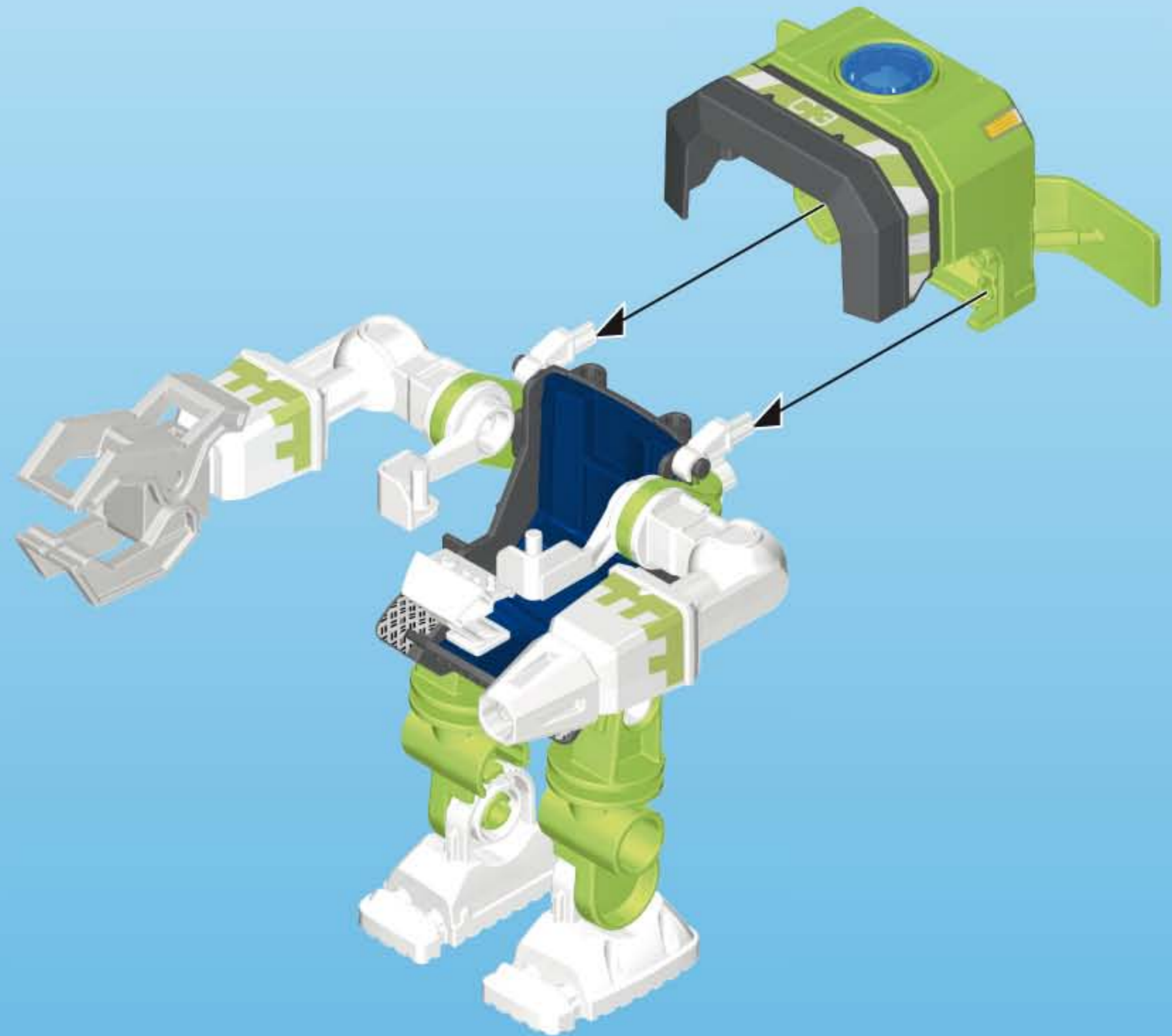
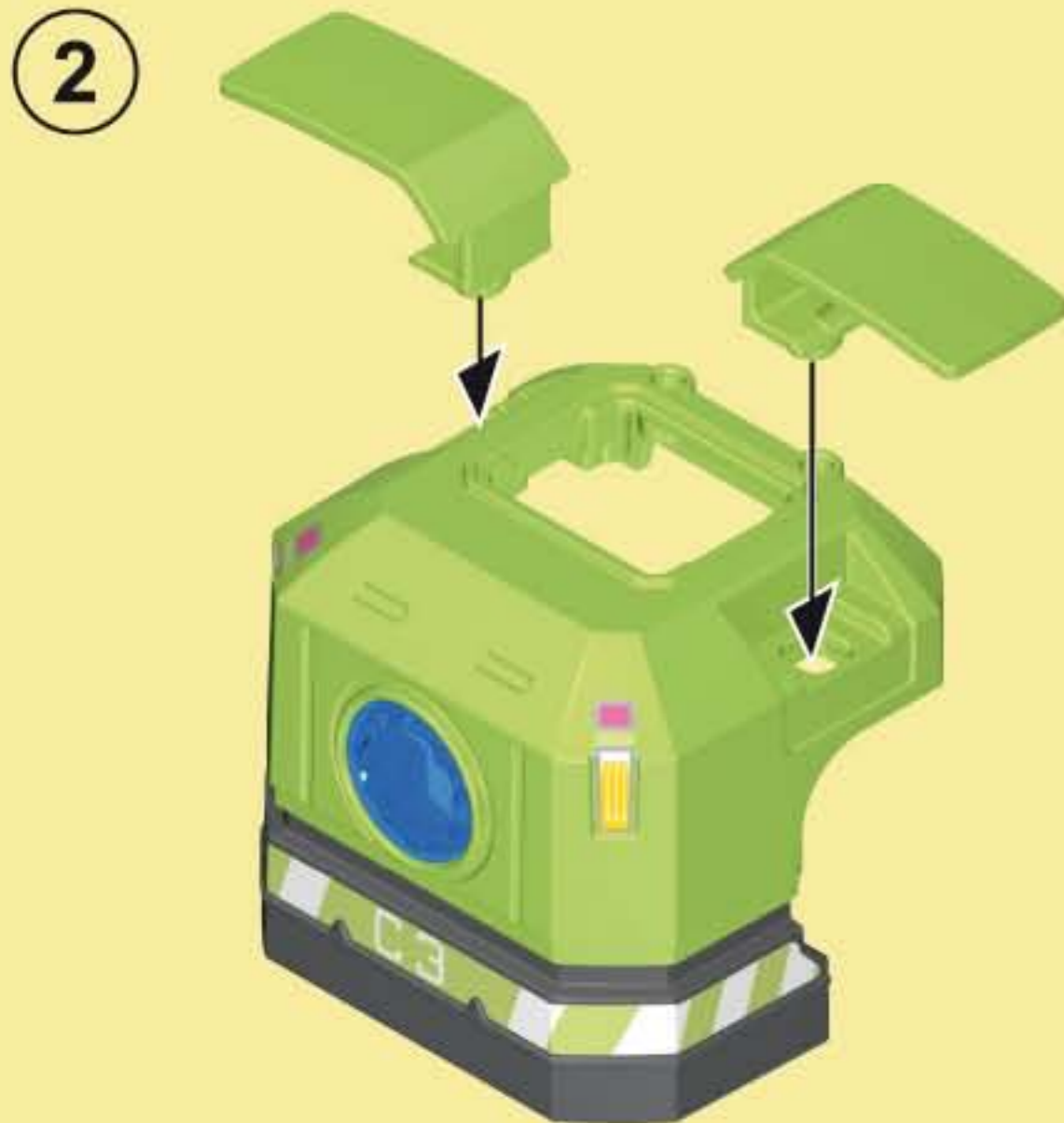
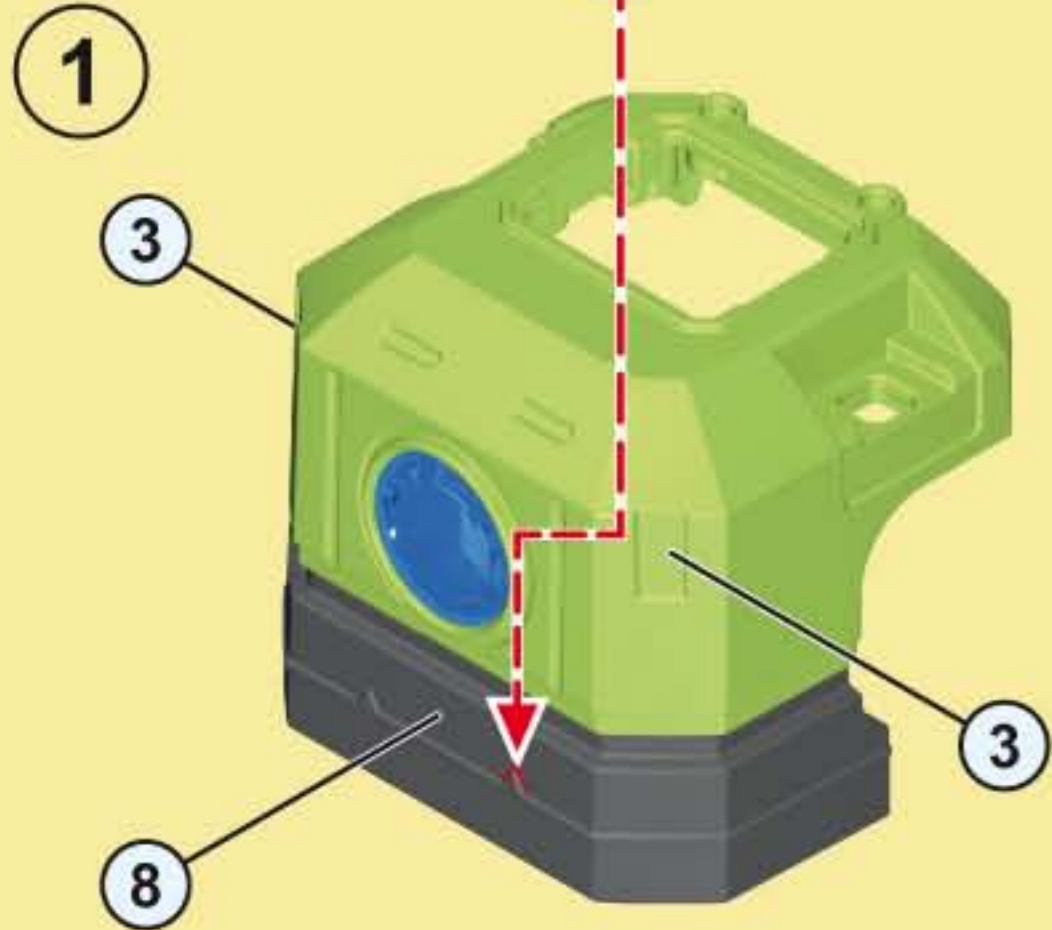


6

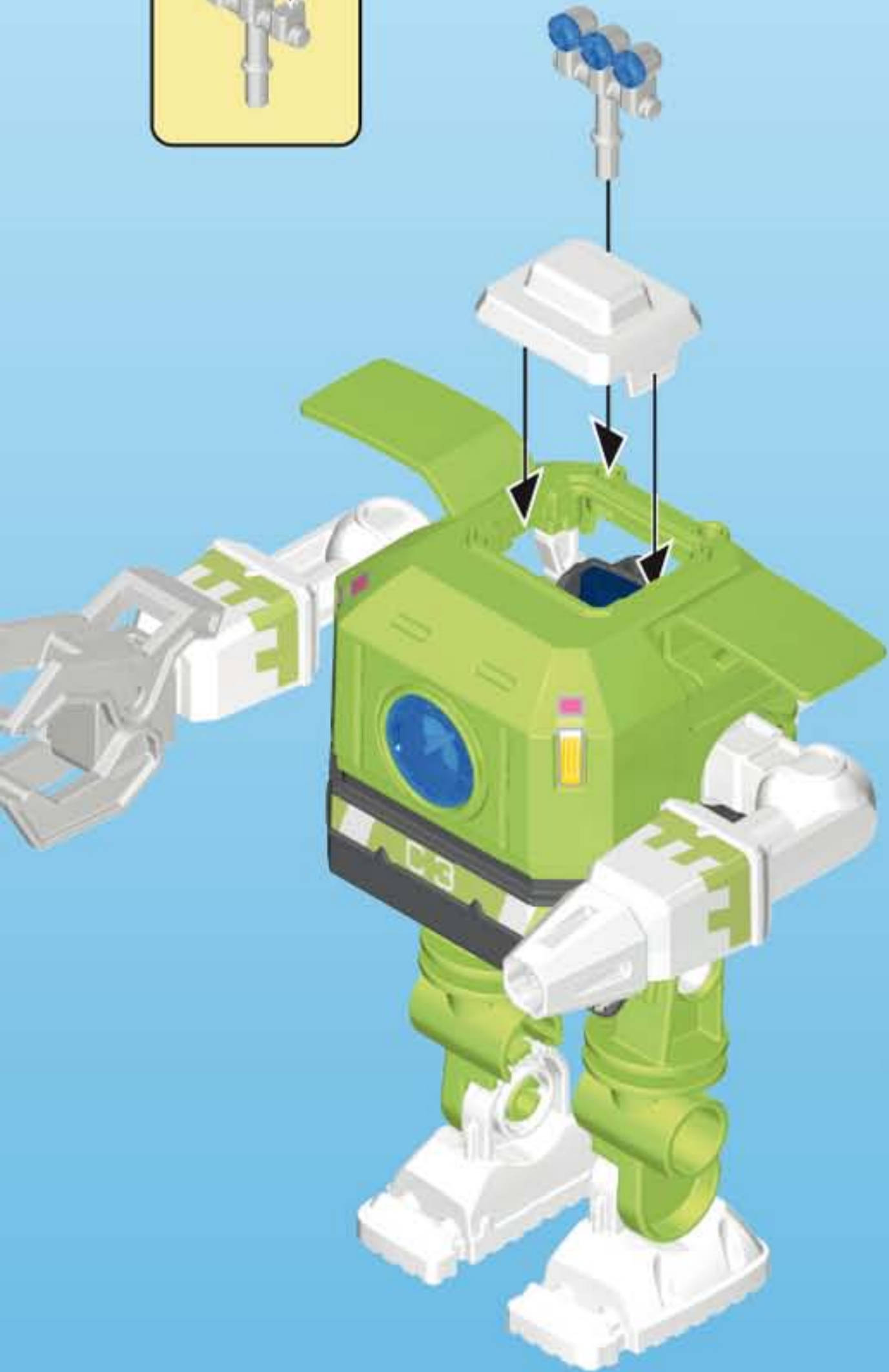




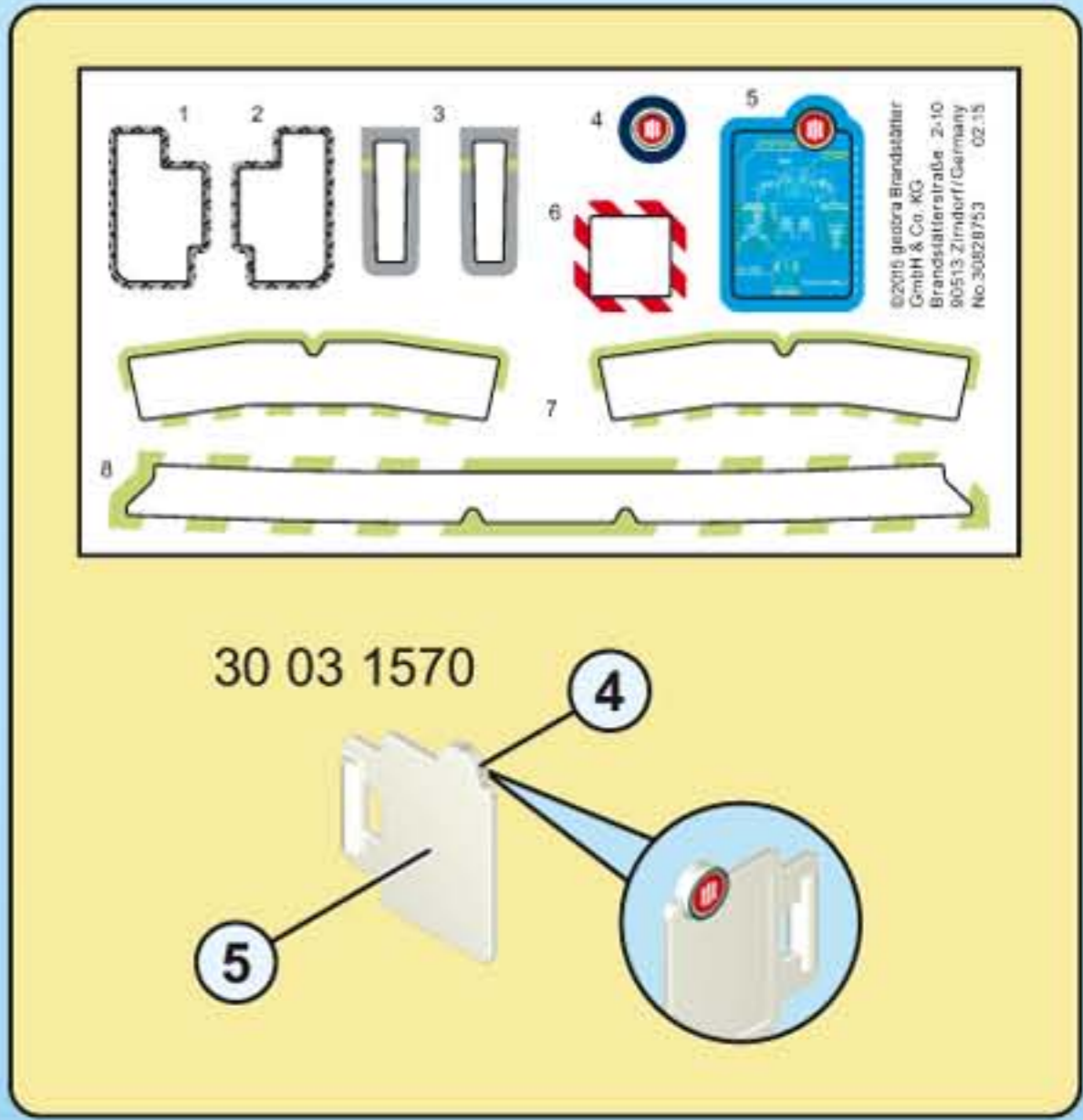
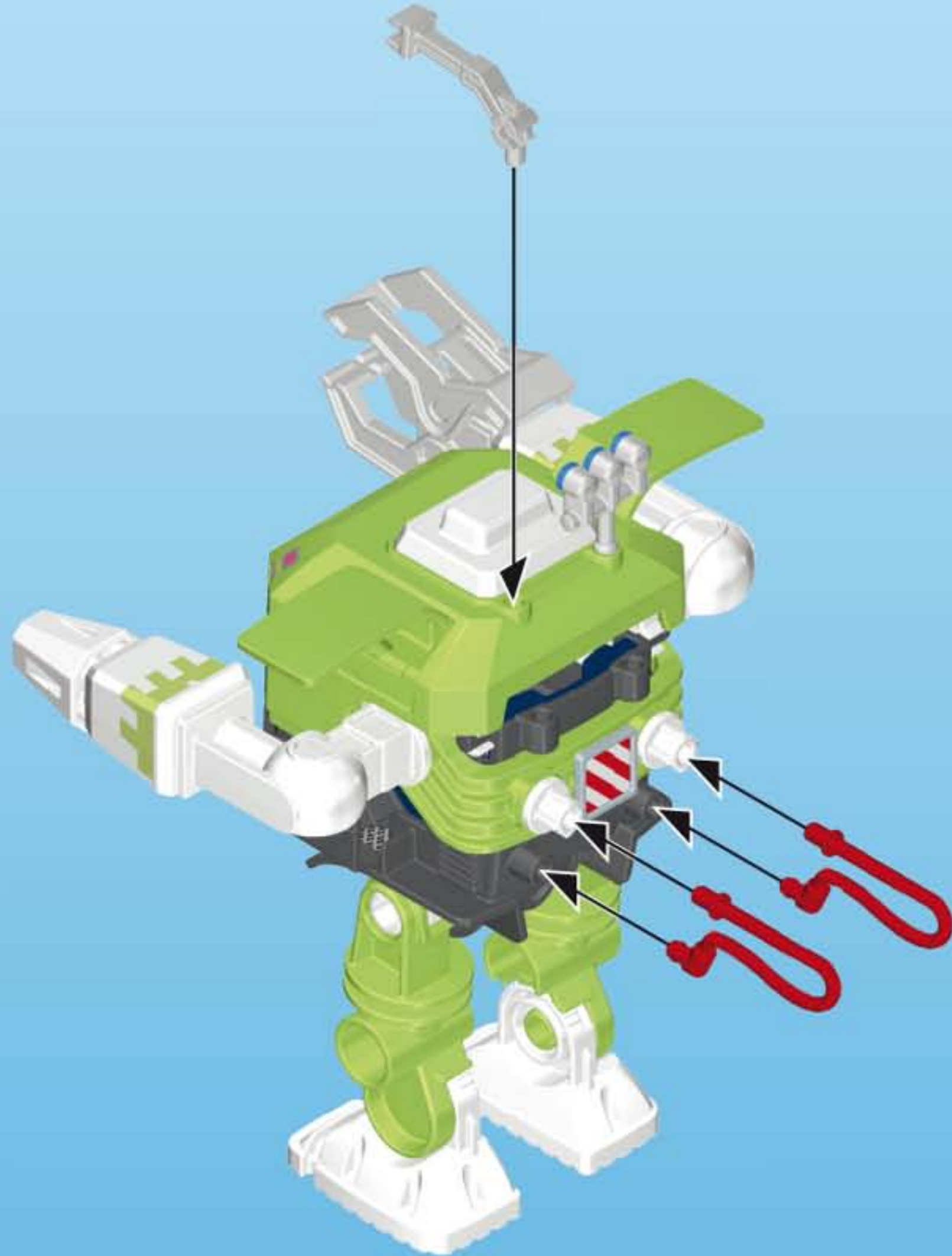
7



8



9



30 03 1570

30 24 4453

30 05 5240



30 00 6393

©2015 LEGO Branding
LEGO & Co. KG
Ludwig-Bölk-Str. 2-10
90513 Zindorf / Germany
No. 3002753 02.15



30 67 7902



30 23 2012



30 05 9622



30 24 4613



30 46 1482



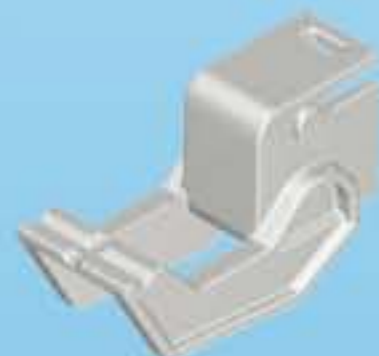
30 46 8172



2x 30 24 4633



30 46 8162



30 46 1472



30 24 4773



30 24 4663



30 24 4950



30 24 4653



30 08 9062



2x 30 27 2950



2x 30 21 0540



2x 30 24 4783



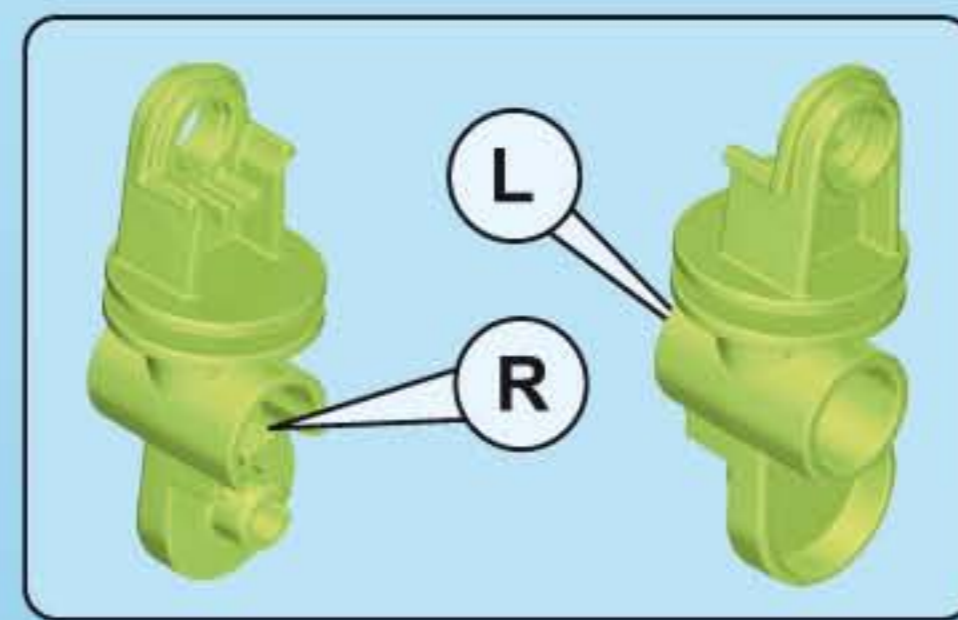
3x 30 24 4643



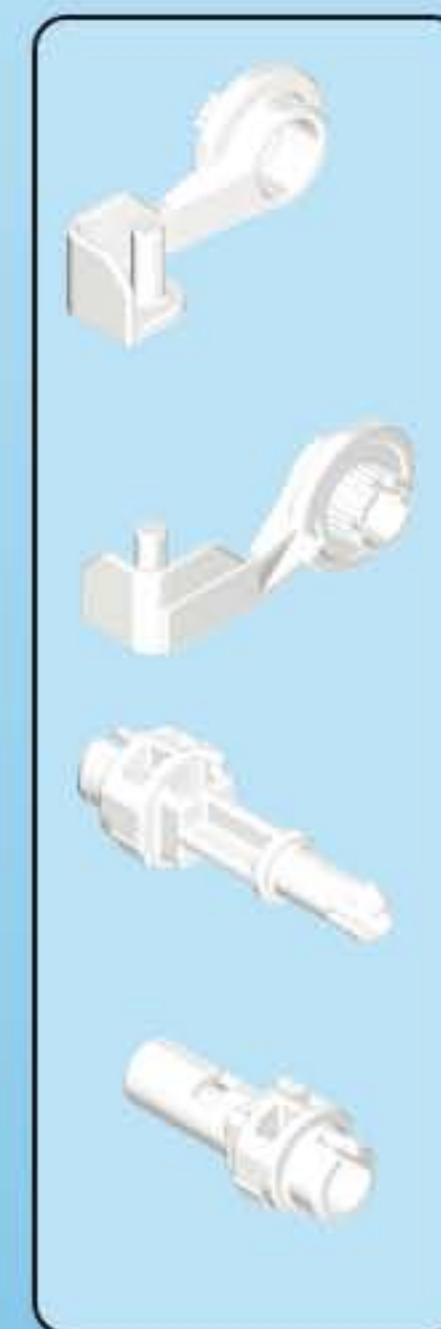
30 24 4603



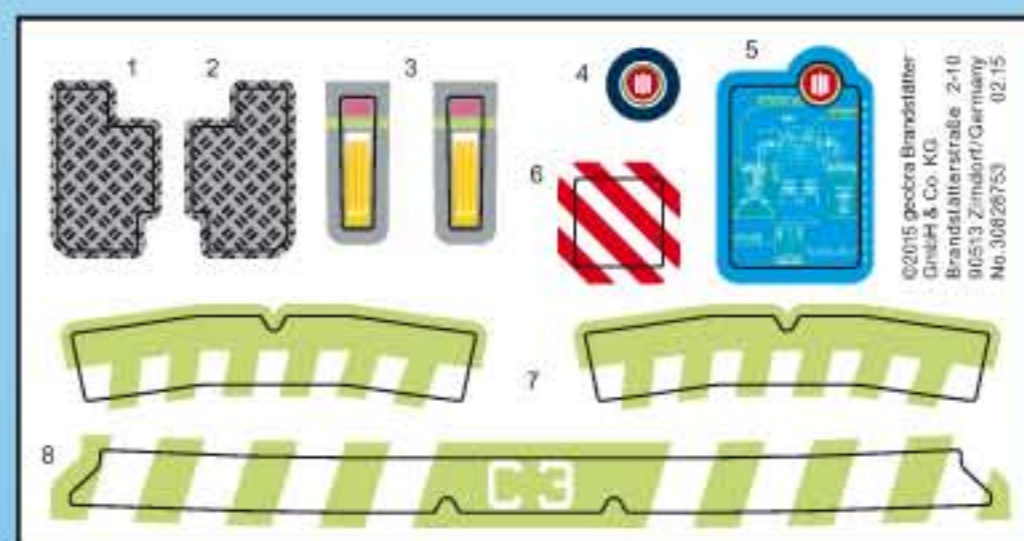
30 60 5172



30 60 8482



30 51 4962



30 82 8753

Serviceadressen finden Sie in allen Playmobil-Prospekten
 Addresses of Customer Service Departments are shown in all Playmobil catalogues
 L'adresse du service consommateurs est indiquée dans tous les catalogues Playmobil
 Troverete gli indirizzi dei centri di assistenza in tutti i cataloghi Playmobil

In alle PLAYMOBIL catalogi vindt u het adres van onze klantendienst.
 Las Direcciones de los Departamentos de Servicio al Consumidor se encuentran en todos los catálogos Playmobil
 Η διεύθυνση του Γραφείου Εξυπηρέτησης Καταναλωτών PLAYMOBIL βρίσκεται σε όλους τους καταλόγους PLAYMOBIL.
 pronounce: plāy-mō-bēēl



www.playmobil.com

© 2015 geobra Brandstätter Stiftung & Co.KG
 Brandstätterstr. 2-10
 90513 Zirndorf, Germany.
 No. 30 82 1524 01.18

© Super 4 is a Trademark of morgen studios GmbH, Germany
 © 2015 morgen studios GmbH, Berlin, and Method Animation, Paris
 License: morgen studios GmbH, Berlin