

playmobil®

6538



WARNING:
CHOKING HAZARD

Small parts. Not for children under 3 years.

"Ne concerne que les USA"

Wichtige Unterlagen, bitte sorgfältig aufbewahren !
Important: Please keep these instructions for future reference !
Documents importants, à conserver soigneusement !
Belangrijke documenten, bewaar deze zorgvuldig !



Serviceadressen finden Sie in allen Playmobil-Prospekten

Addresses of Customer Service Departments are shown in all Playmobil catalogues

L'adresse du service consommateurs est indiquée dans tous les catalogues Playmobil

Troverete gli indirizzi dei centri di assistenza in tutti i cataloghi Playmobil

In alle PLAYMOBIL catalogi vindt u het adres van onze klantendienst.

Las Direcciones de los Departamentos de Servicio al Consumidor se encuentran en todos los catálogos Playmobil

Η διεύθυνση του Γραφείου Εξυπηρέτησης Καταναλωτών PLAYMOBIL βρίσκεται σε όλους τους καταλόγους PLAYMOBIL.

pronounce: plāy-mō-bēēl

1

① 30 82 1910



② 30 02 3012



30 23 3493

30 02 3022

①

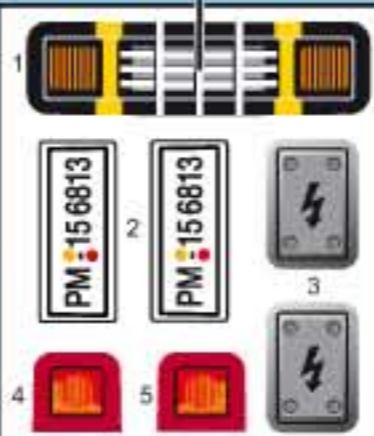
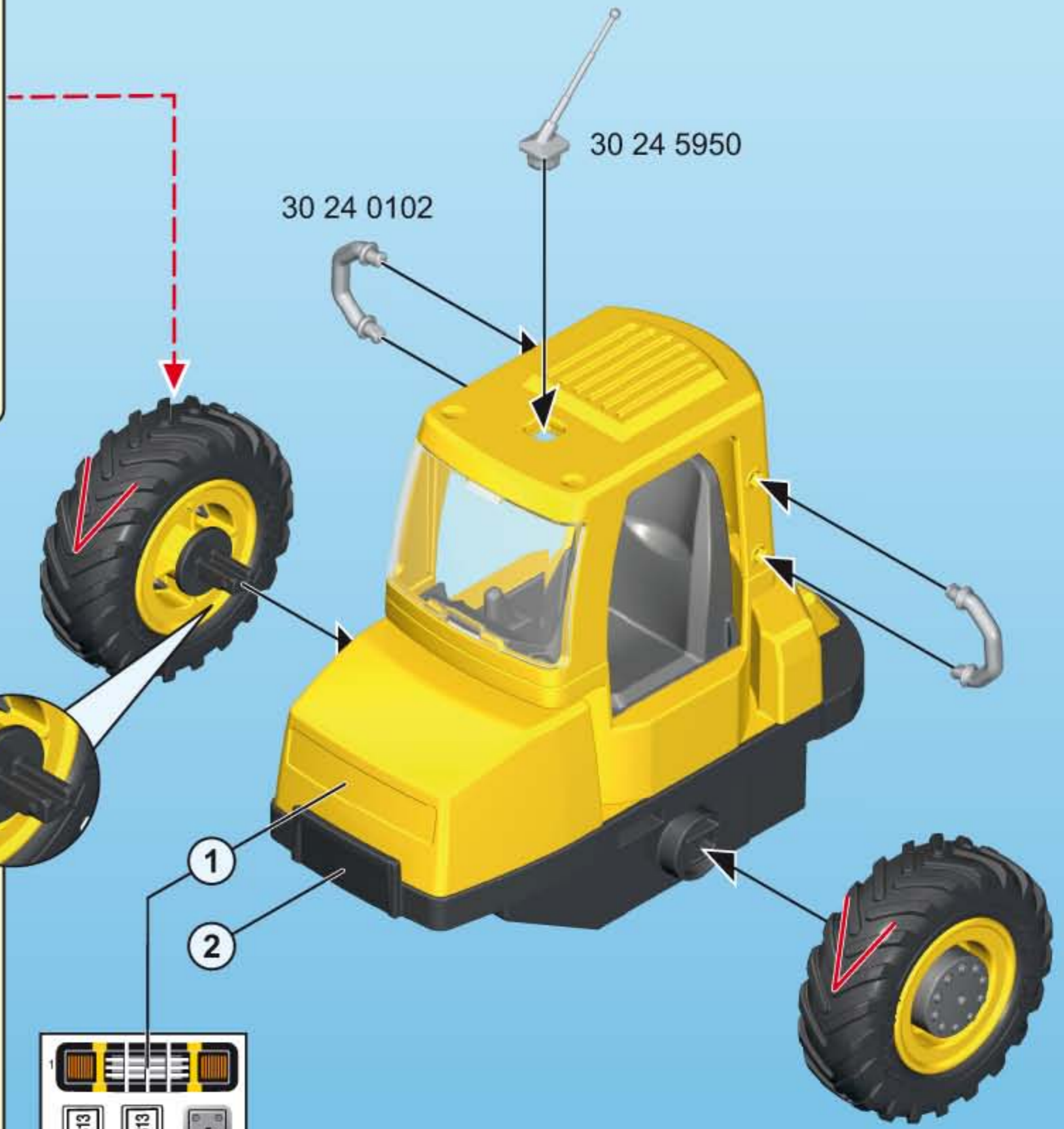


②



30 02 3012

30 02 3022



1

2

3

4

5

PM 15 6813

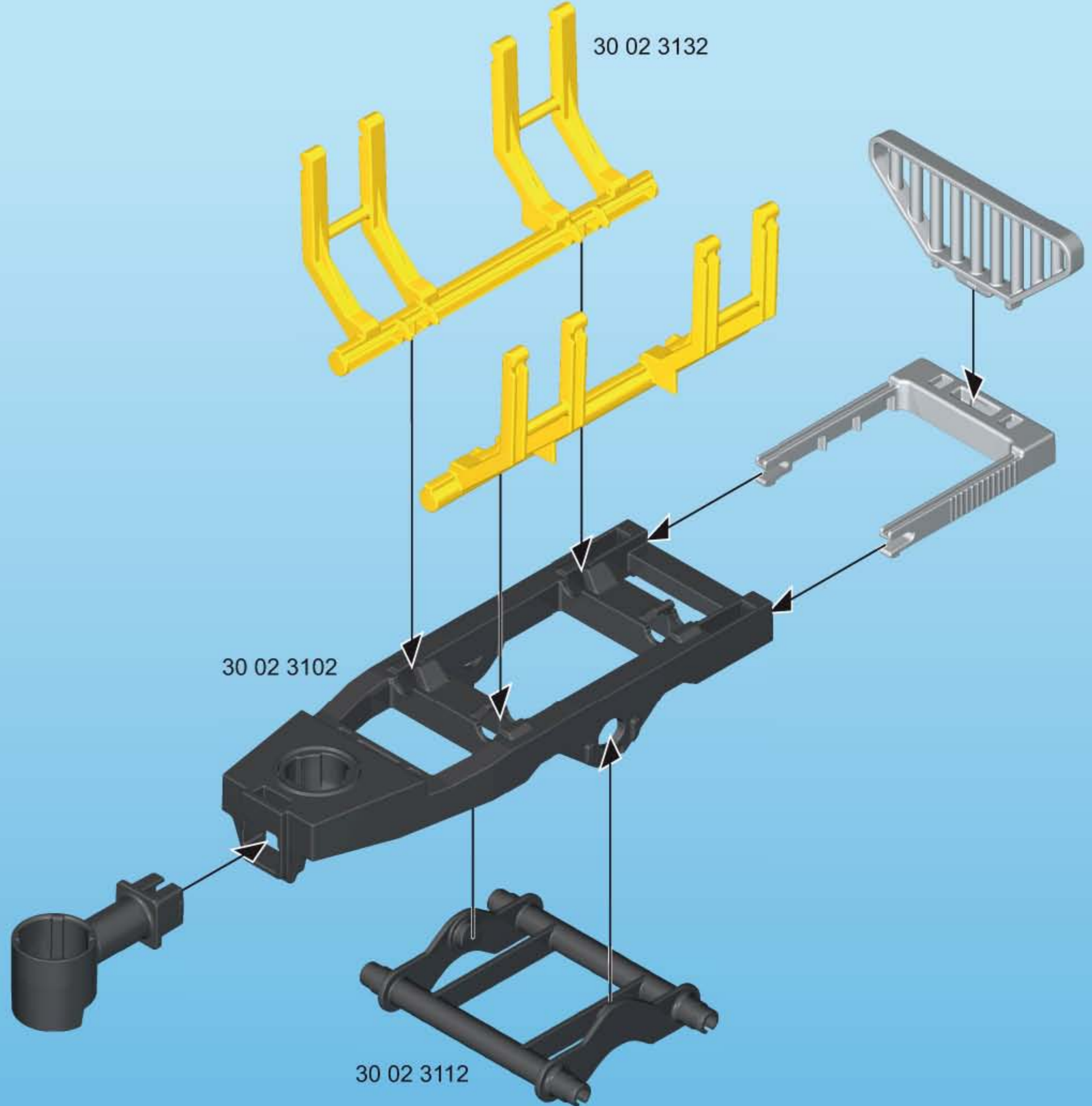
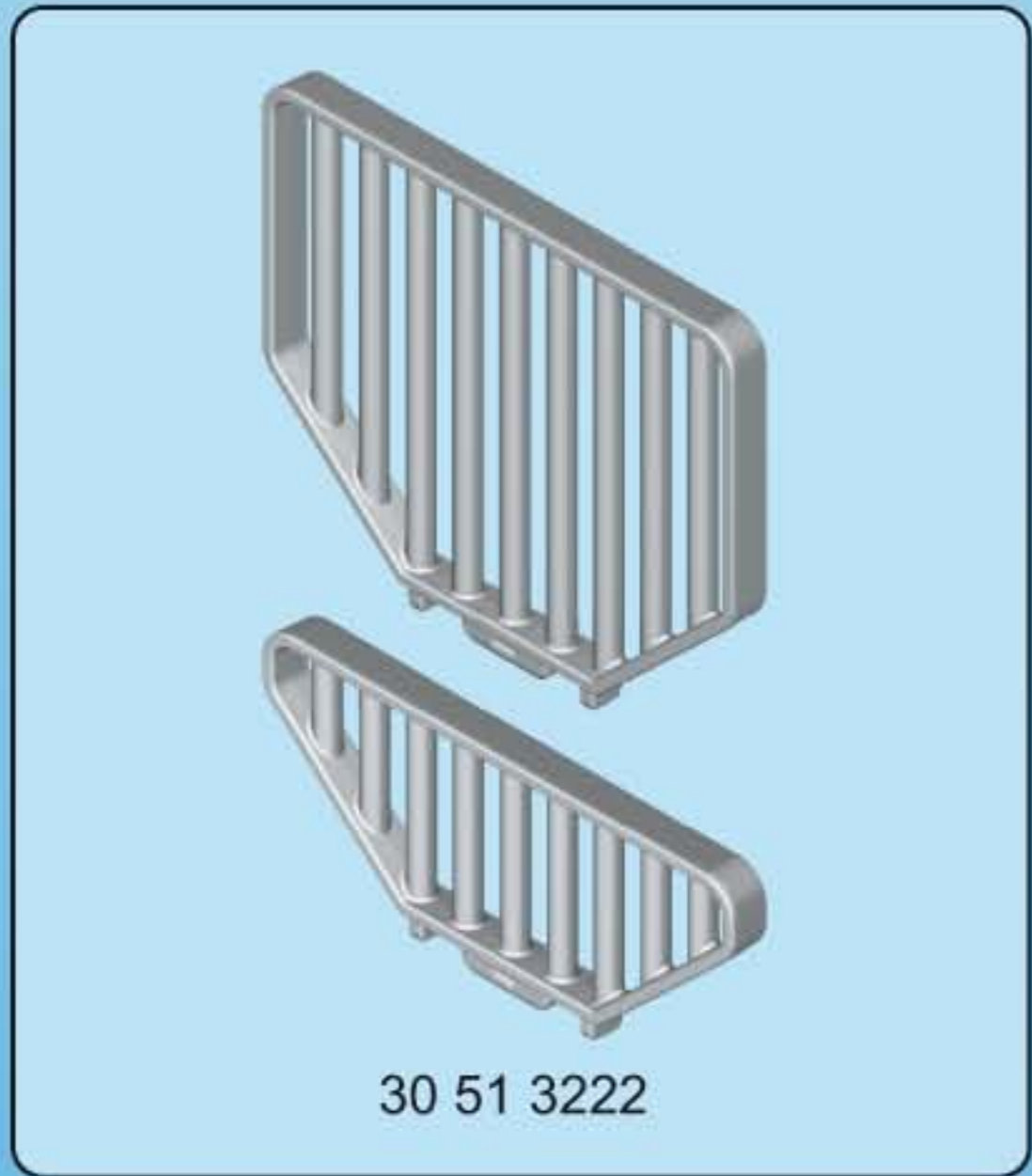
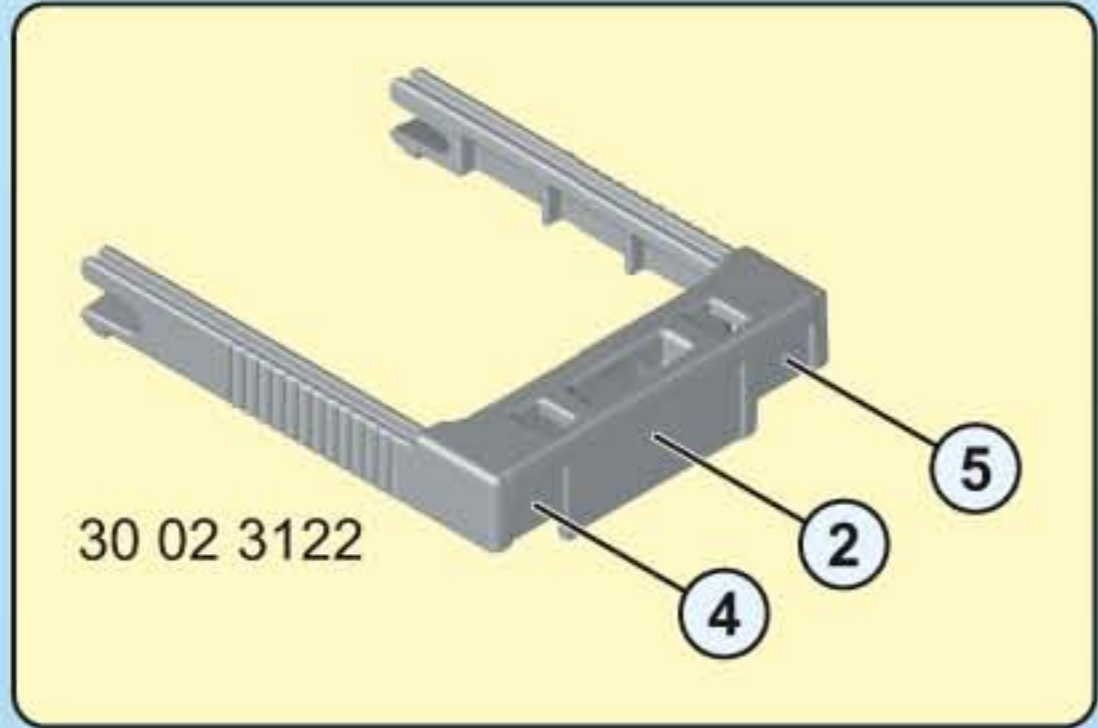
PM 15 6813

© 2016 geobra Brandstätter Stiftung & Co. KG
Brandstätterstraße 2-10 No. 30821214
80513 Zimdorf/Germany 09.16

30 82 1214

2

2



3

2x
30 02 3032

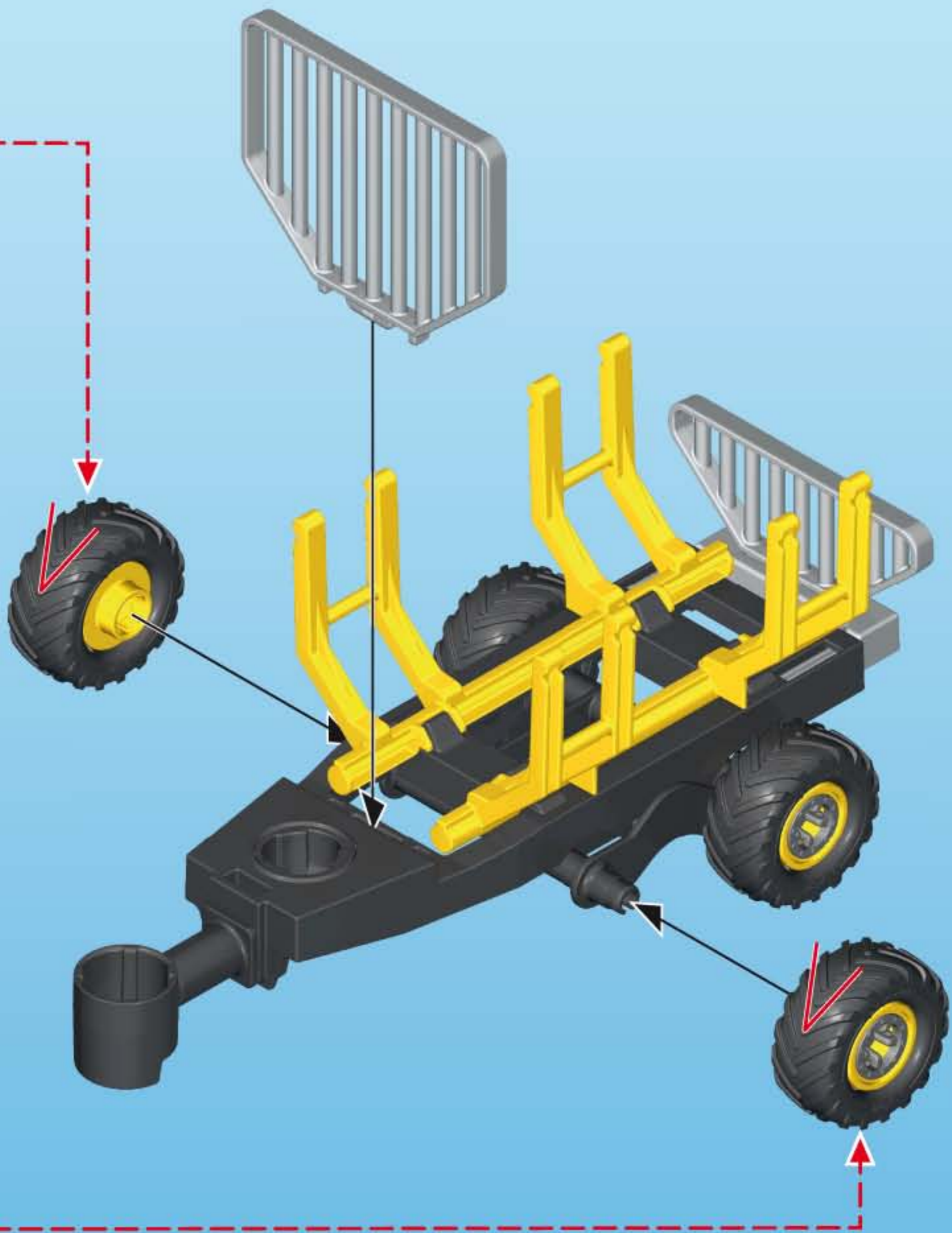
30 28 0220

30 82 1890

2x

30 28 0220

30 02 3032



4

1

3

30 02 3142

30 02 3172

2

30 02 3152

30 02 3162

30 02 3212

30 02 3182

30 02 3202

30 02 3192

© 2016 gestra Brandstifter Stiftung & Co. KG
Brandstifterstraße 2-10 | Nr. 30821214
90513 Zirndorf/Germany | 08.15

Detailed description: This diagram illustrates the fourth step of assembly. It shows a grey hydraulic arm (30 02 3142) being attached to a truck chassis. The arm has a red arrow pointing to a hole labeled '3'. A separate grey pin (30 02 3172) is shown in a callout box. The truck chassis has a red hydraulic cylinder (30 02 3192) and a grey mounting bracket (30 02 3212). A long grey arm (30 02 3152) is shown connecting the truck's cylinder to the hydraulic arm. A grey ball joint (30 02 3162) is also shown. A parts list table is provided in the top right corner.

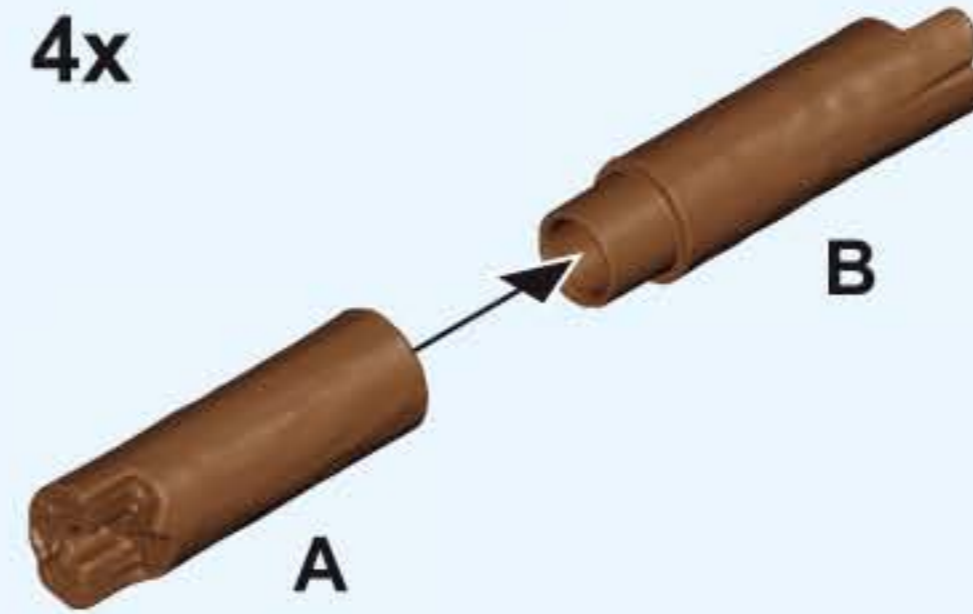


5

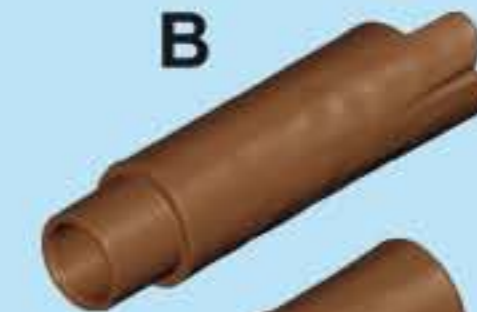
5



4x



B



A

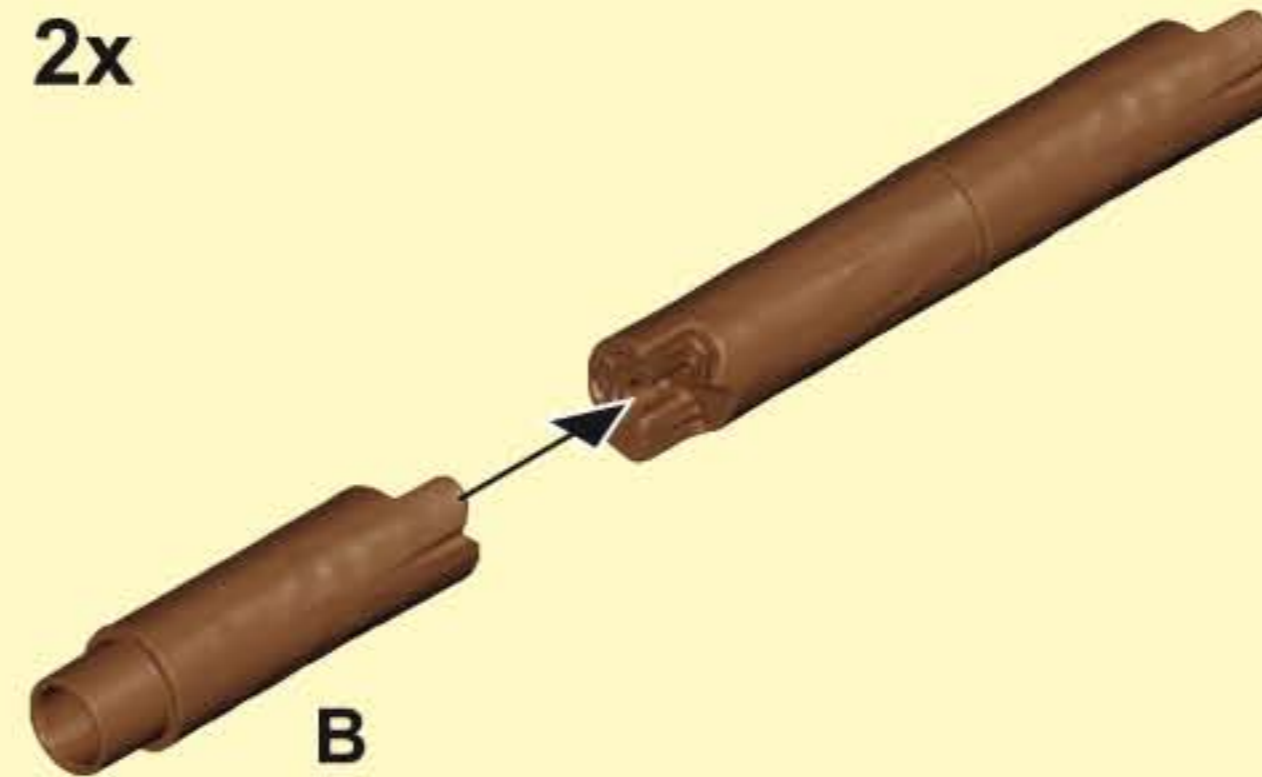
6x 30 61 6590

2x



A

2x



B



www.playmobil.com

© 2017 geobra Brandstätter Stiftung & Co.KG
Brandstätterstr. 2-10
90513 Zirndorf, Germany.
No. 30 80 1415 03.17

6

Abbildungen können vom Original abweichen. / Product may differ from image shown.
Les illustrations peuvent différer de l'original. / Afbeeldingen kunnen verschillen van het werkelijke artikel.