

# playmobil®

## 6526



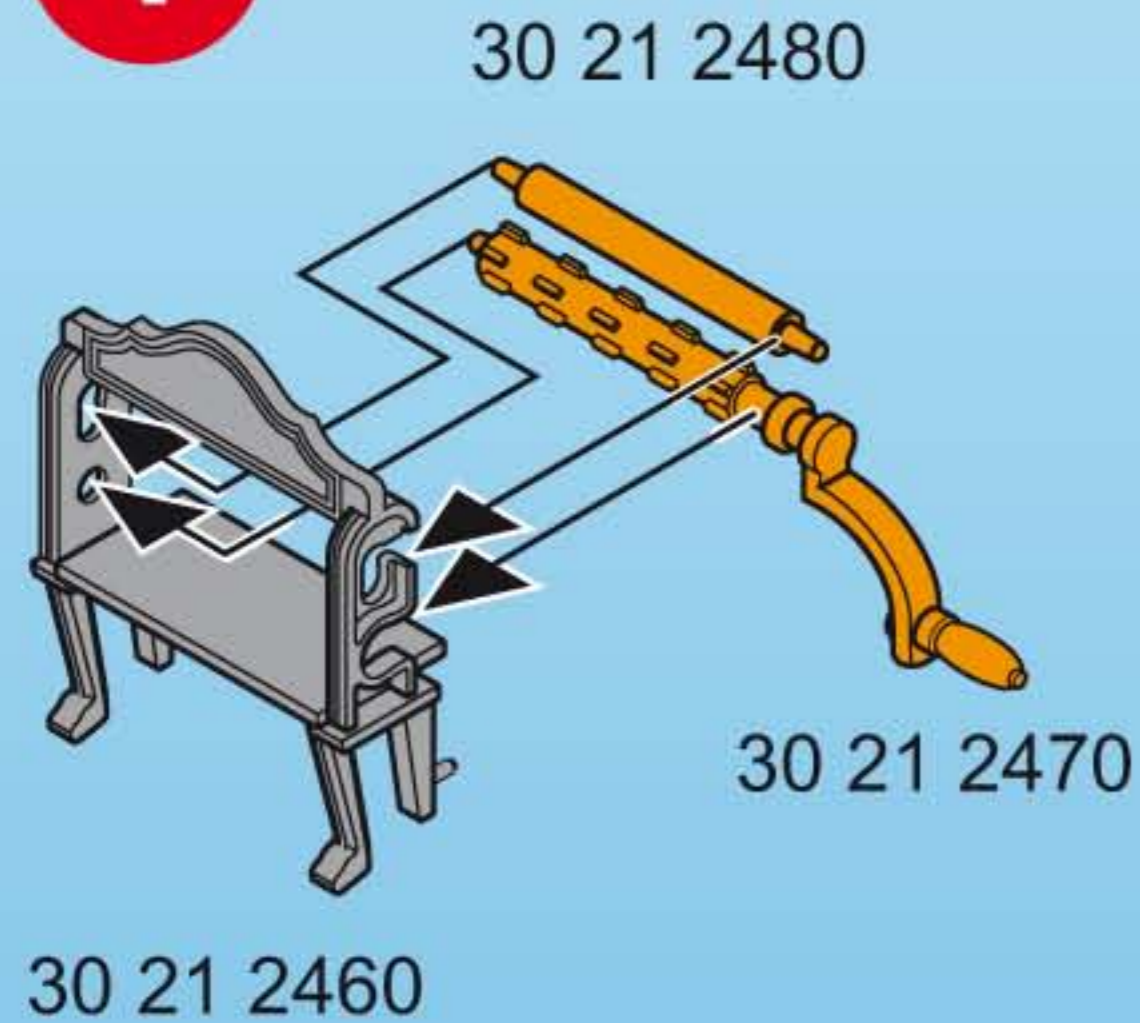
### WARNING: CHOKING HAZARD

Small parts. Not for children under 3 years.

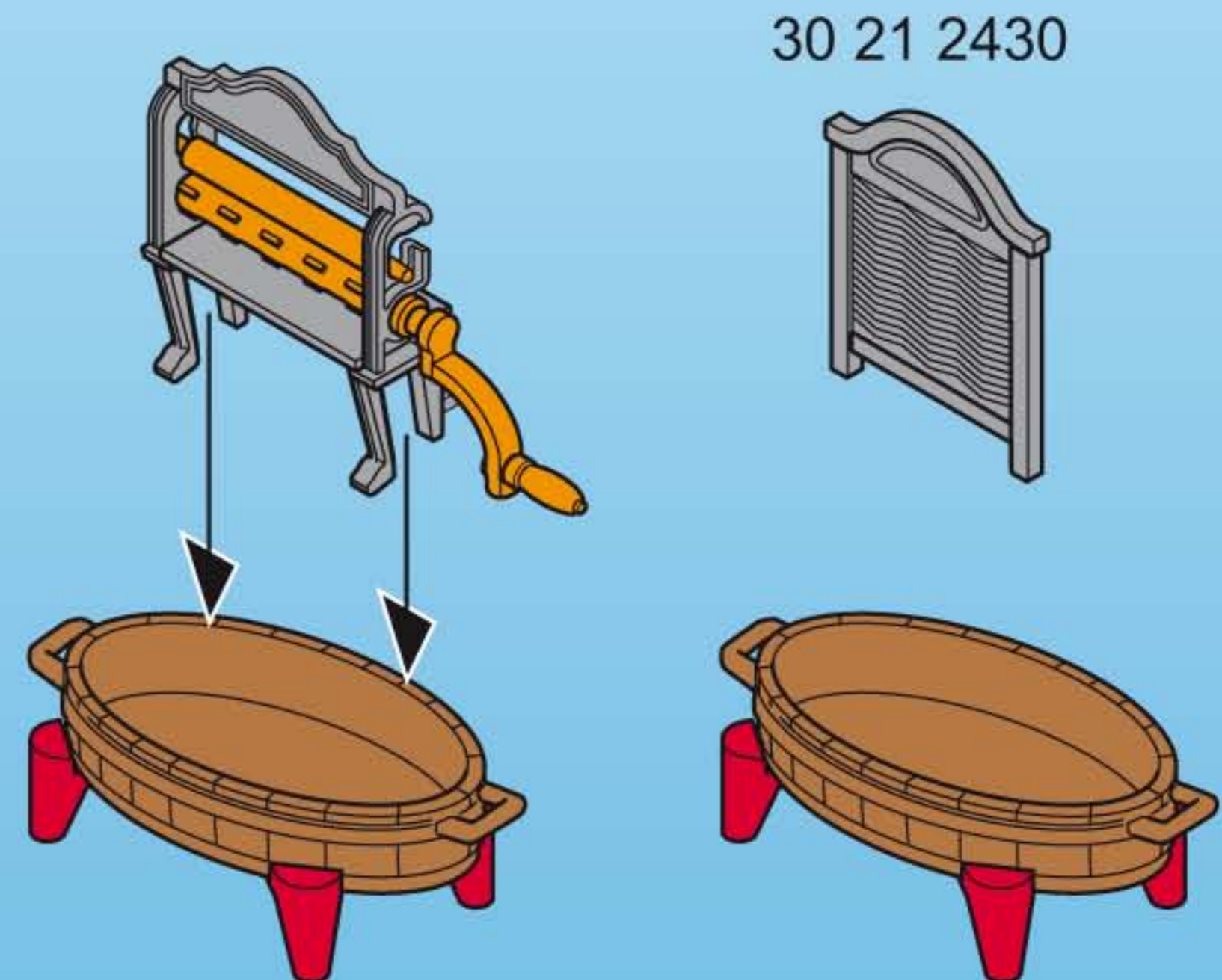
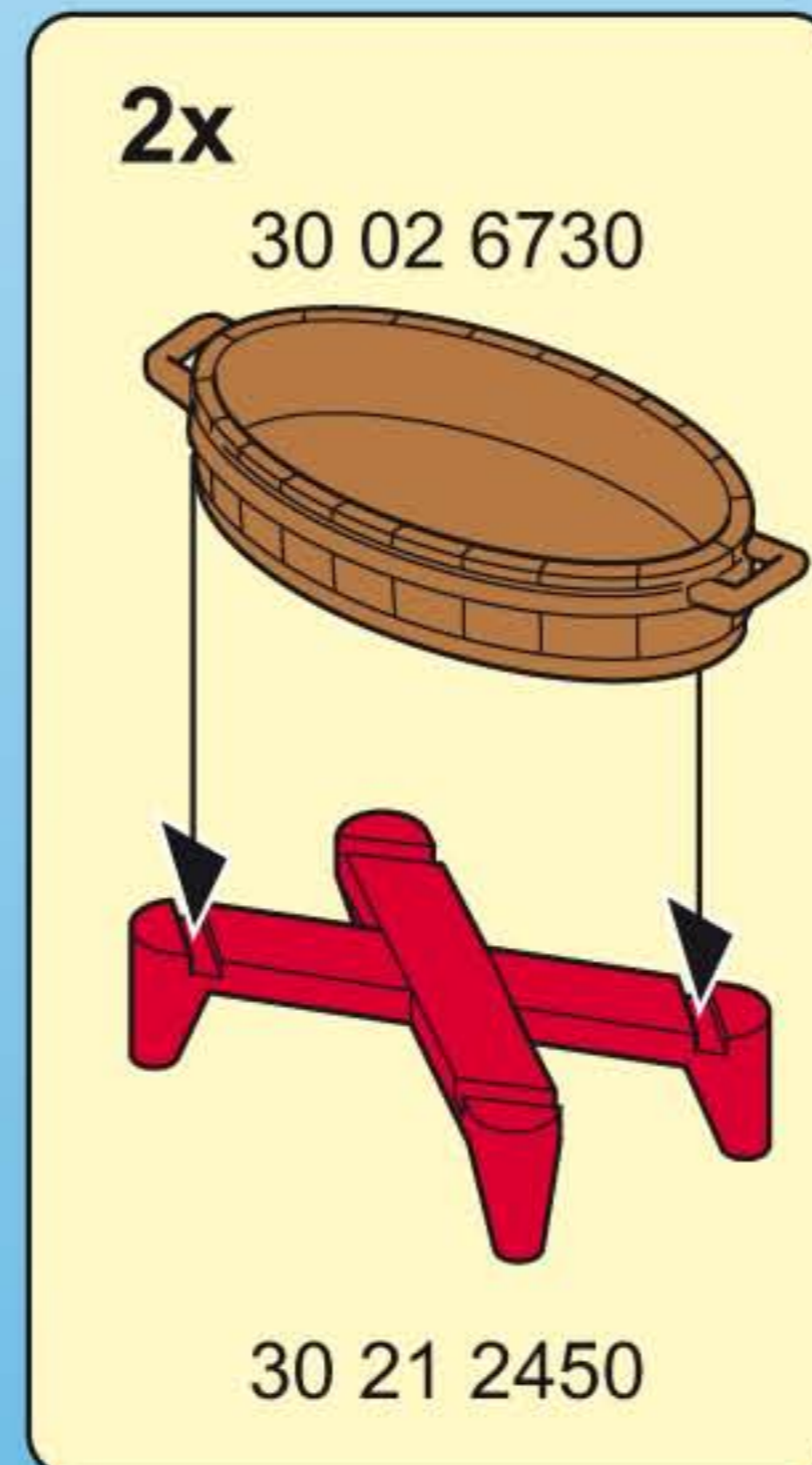
"Ne concerne que les USA"

Wichtige Unterlagen, bitte sorgfältig aufbewahren !  
Important: Please keep these instructions for future reference !  
Documents importants, à conserver soigneusement !  
Belangrijke documenten, bewaar deze zorgvuldig !

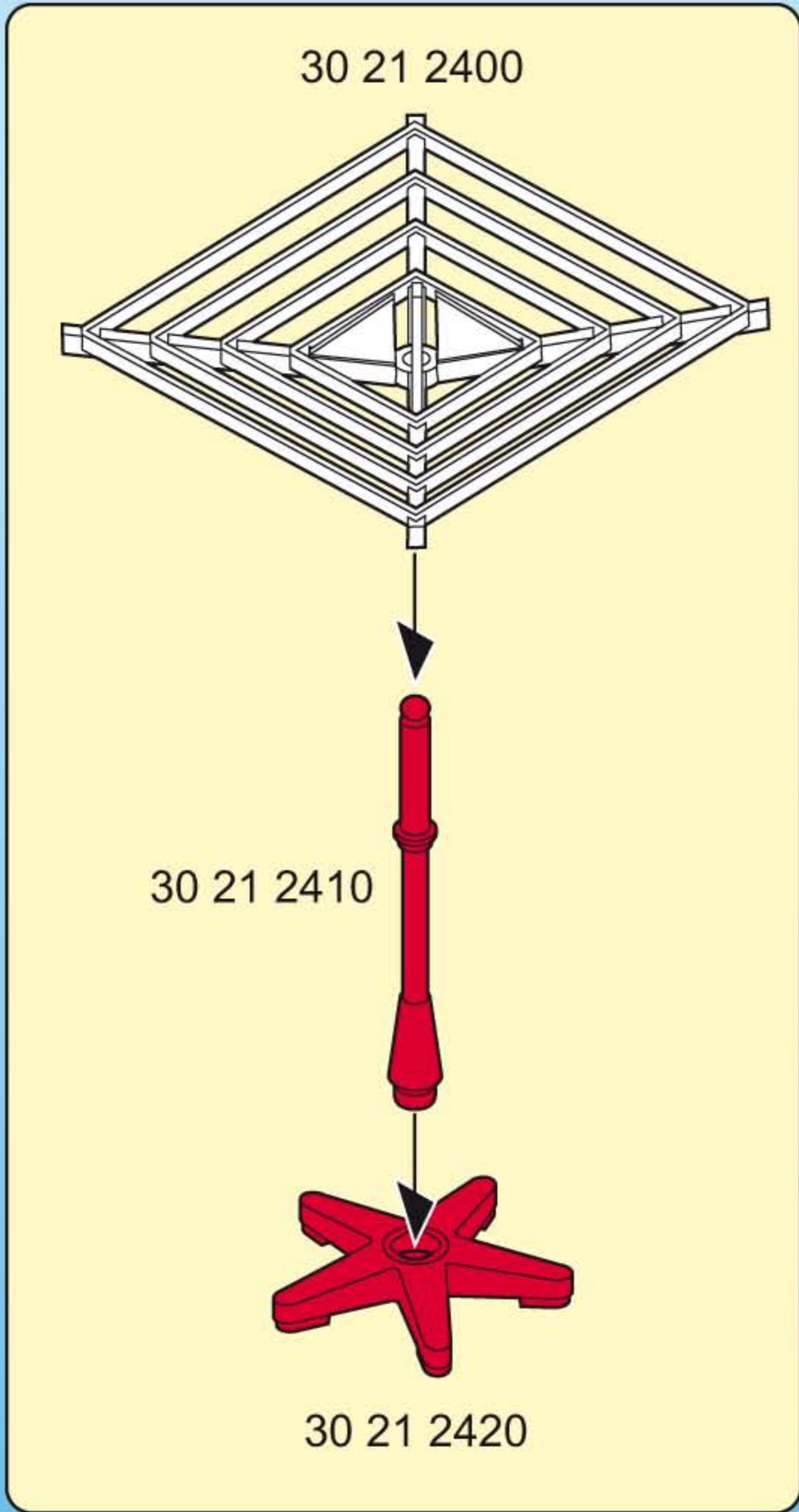
# 1



# 2



www.playmobil.com



30 05 5780

30 64 0930

30 14 0070

30 21 2490

30 66 9410

10x 30 21 2440

2x 30 89 1910

2x 30 89 1920

2x 30 89 1900

2x 30 89 1890

© 2016 geobra Brandstätter Stiftung & Co.KG  
 Brandstätterstr. 2-10  
 90513 Zirndorf, Germany.  
 No. 30 80 2714 03.16

**playmobil®**