

playmobil®

6341



WARNING:
CHOKING HAZARD

Small parts. Not for children under 3 years.

"Ne concerne que les USA"

Wichtige Unterlagen, bitte sorgfältig aufbewahren!
Important: Please keep these instructions for future reference!
Documents importants, à conserver soigneusement!
Belangrijke documenten, bewaar deze zorgvuldig!

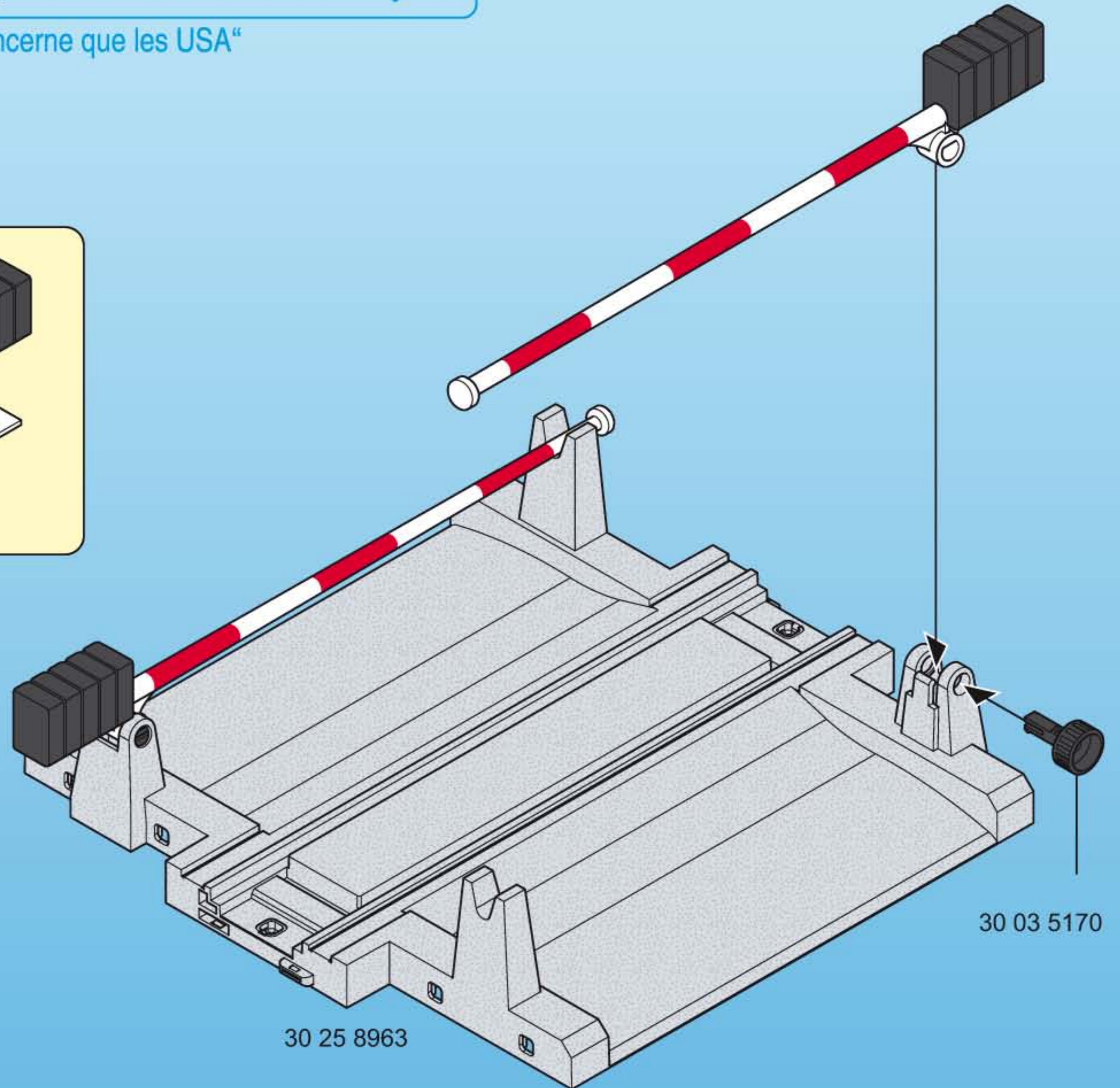
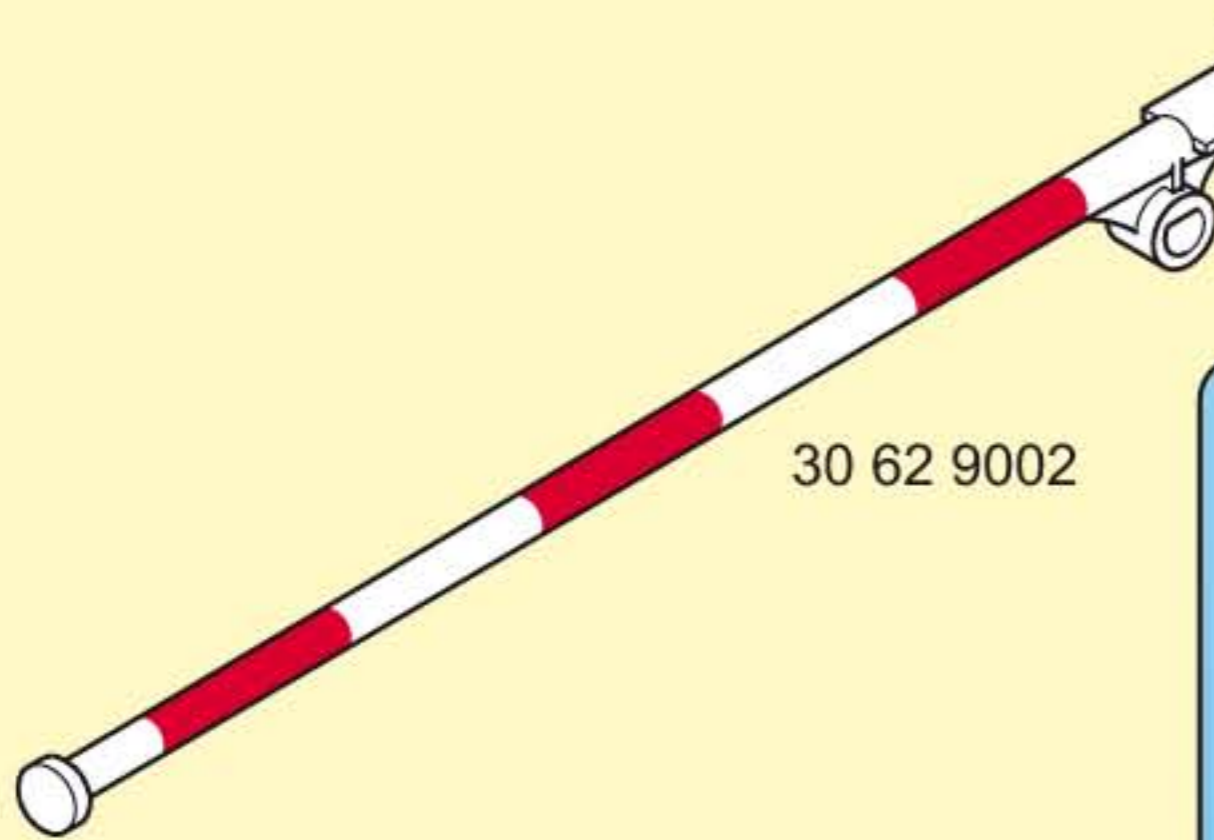
1

2x

30 03 5130



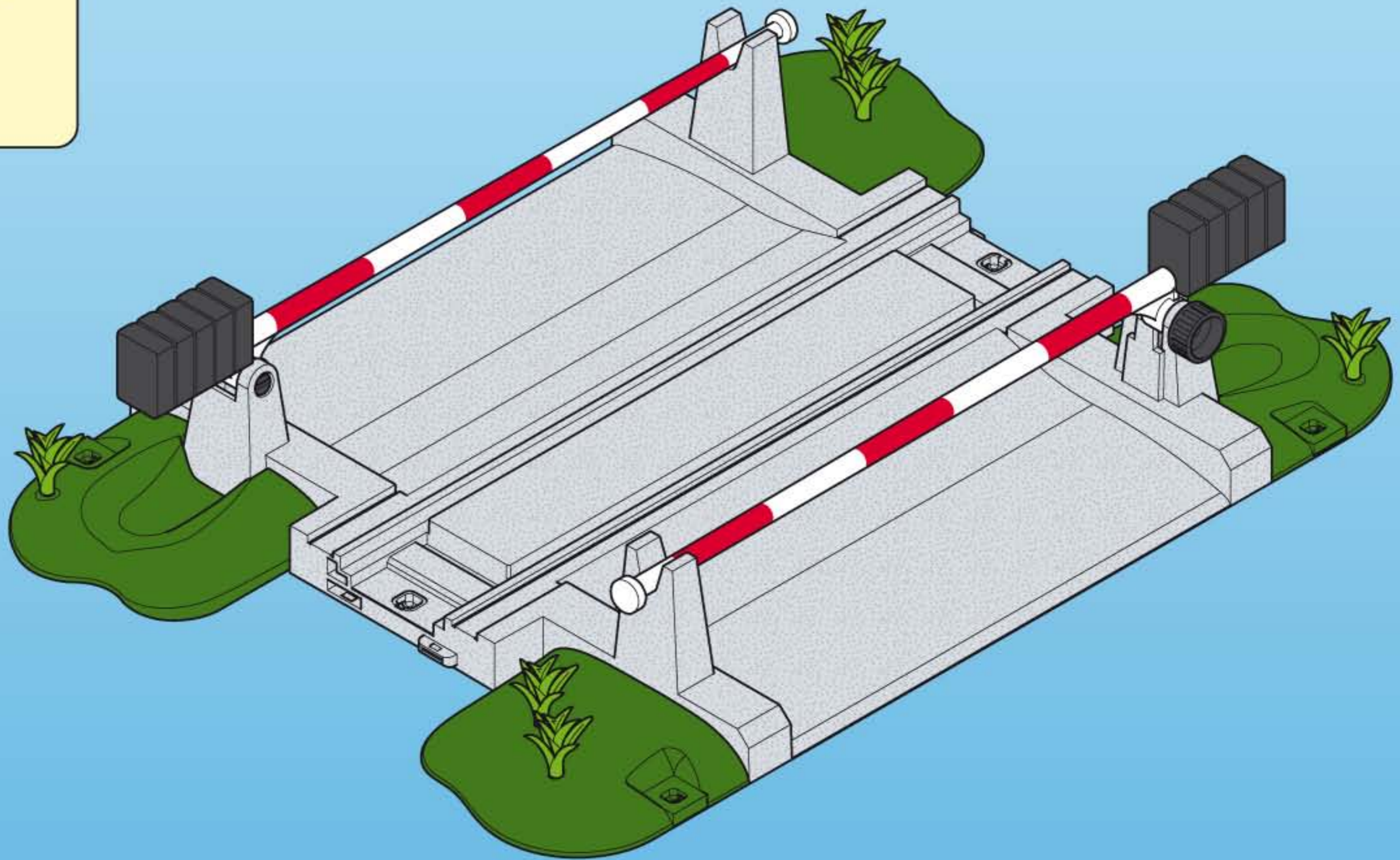
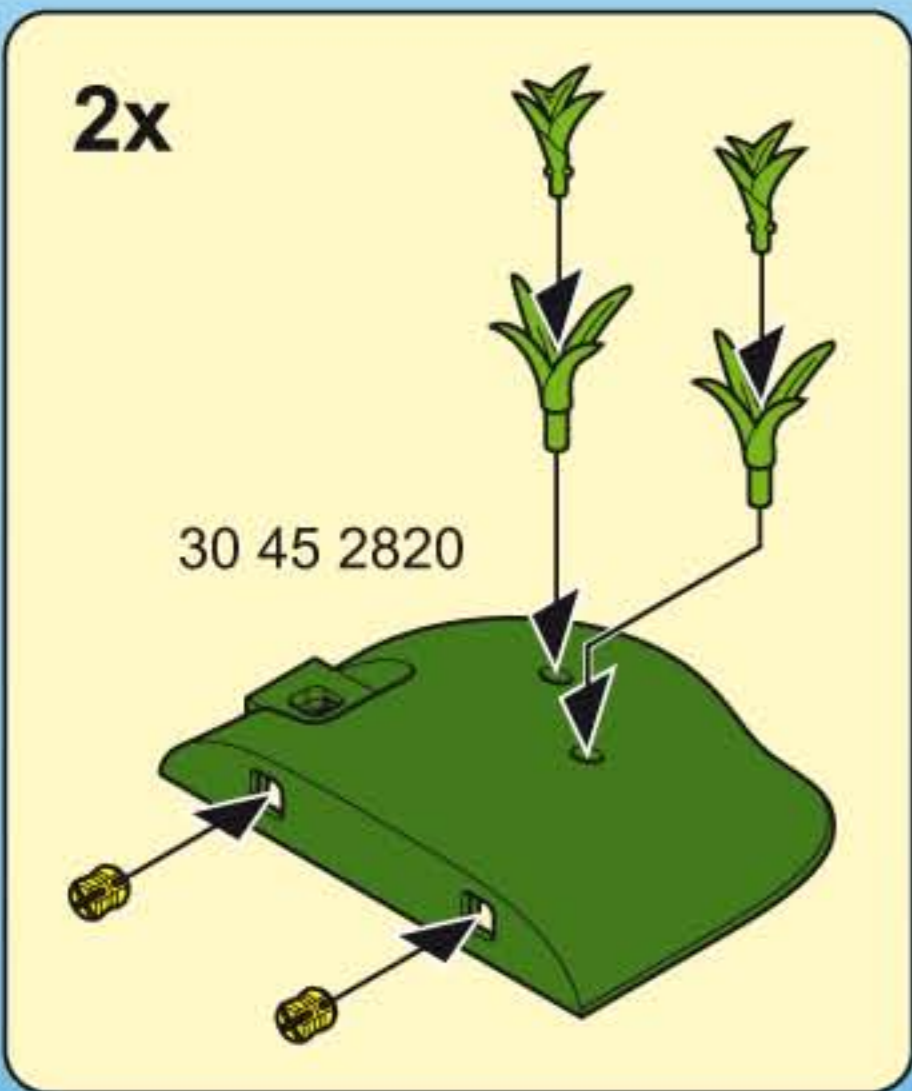
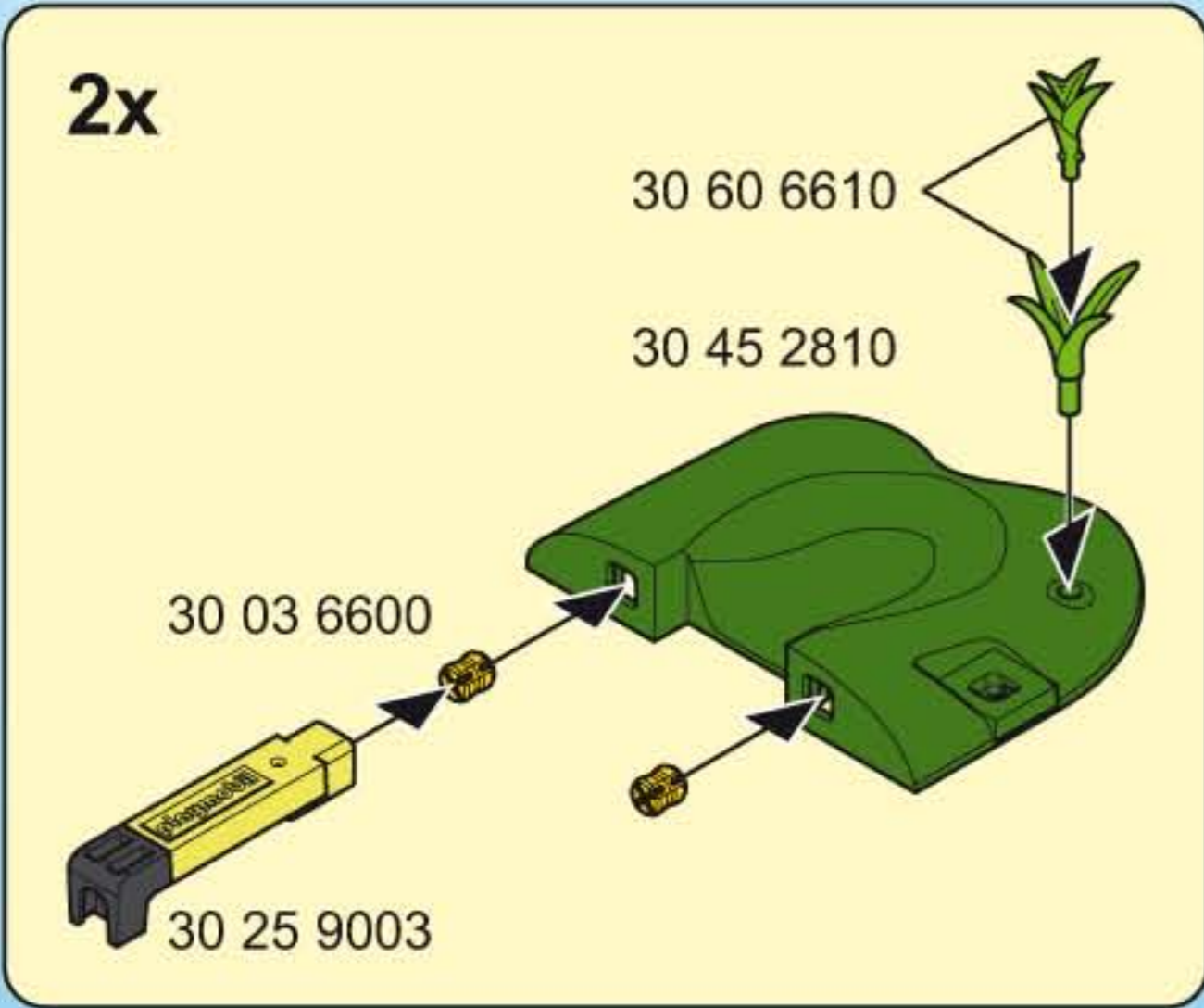
30 62 9002



30 25 8963

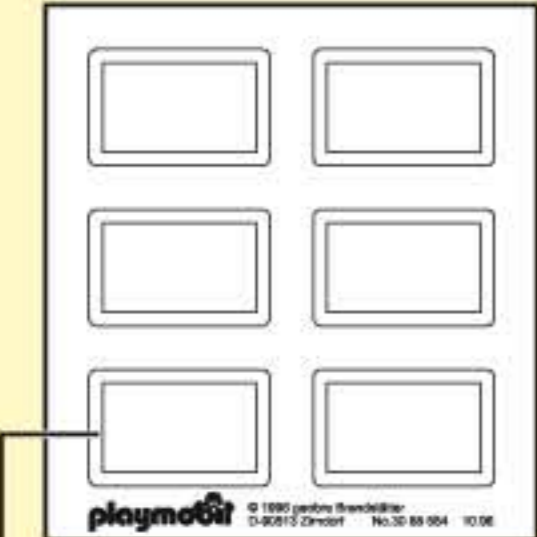
30 03 5170

2



3

4x



30 88 6840

30 03 5360

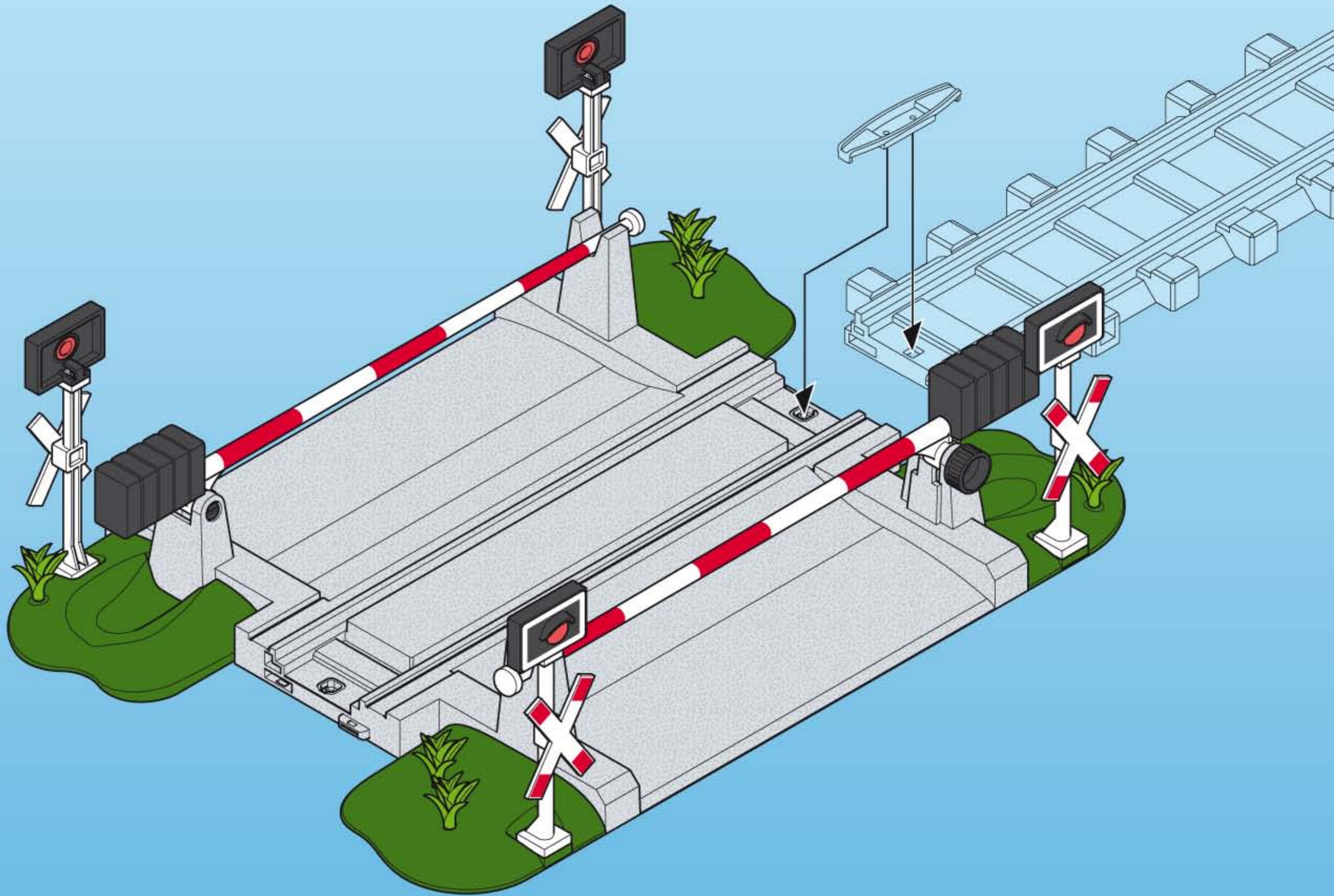
30 03 5370

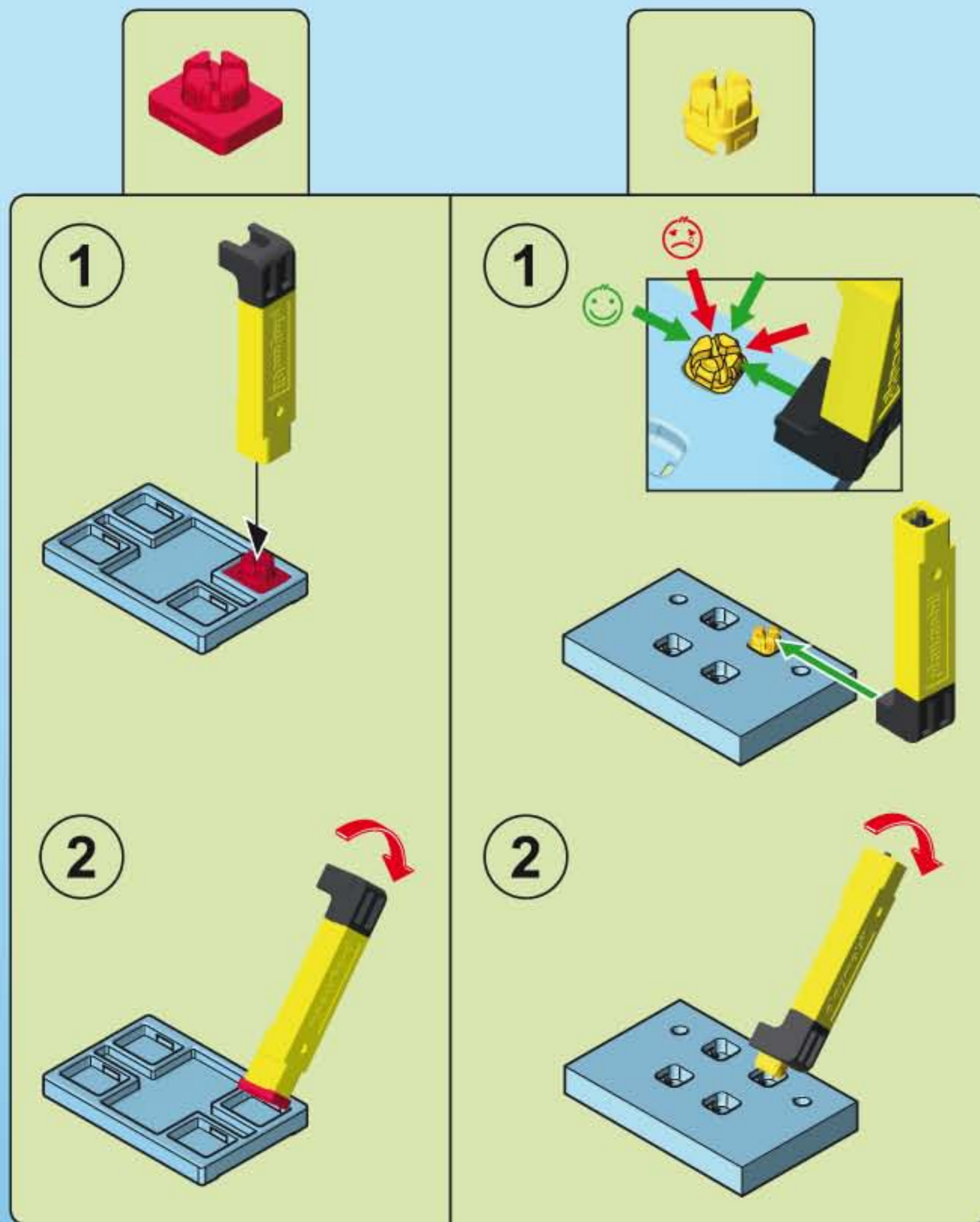
30 03 5350

30 63 5660

30 09 6900

The diagram shows a vertical assembly of parts. At the top is a 2x3 grid of six white rectangular plates. Below this is a black rectangular component with a red pin being inserted into it. This is followed by a white vertical post with a small white square on its side. A red and white striped 'X' sign is attached to the side of the post. Below the post is a red bush, and at the bottom is a yellow and black component.





Serviceadressen finden Sie in allen Playmobil-Prospekten

Addresses of Customer Service Departments are shown in all Playmobil catalogues

L'adresse du service consommateurs est indiquée dans tous les catalogues Playmobil

Troverete gli indirizzi dei centri di assistenza in tutti i cataloghi Playmobil

In alle PLAYMOBIL catalogi vindt u het adres van onze klantendienst.

Las Direcciones de los Departamentos de Servicio al Consumidor se encuentran en todos los catálogos Playmobil

Η διεύθυνση του Γραφείου Εξυπηρέτησης Καταναλωτών PLAYMOBIL βρίσκεται σε όλους τους καταλόγους PLAYMOBIL.

pronounce: plāy-mō-bēēl