

playmobil®

6341



WARNING:
CHOKING HAZARD

Small parts. Not for children under 3 years.

"Ne concerne que les USA"

Wichtige Unterlagen, bitte sorgfältig aufbewahren!
Important: Please keep these instructions for future reference!
Documents importants, à conserver soigneusement!
Belangrijke documenten, bewaar deze zorgvuldig!

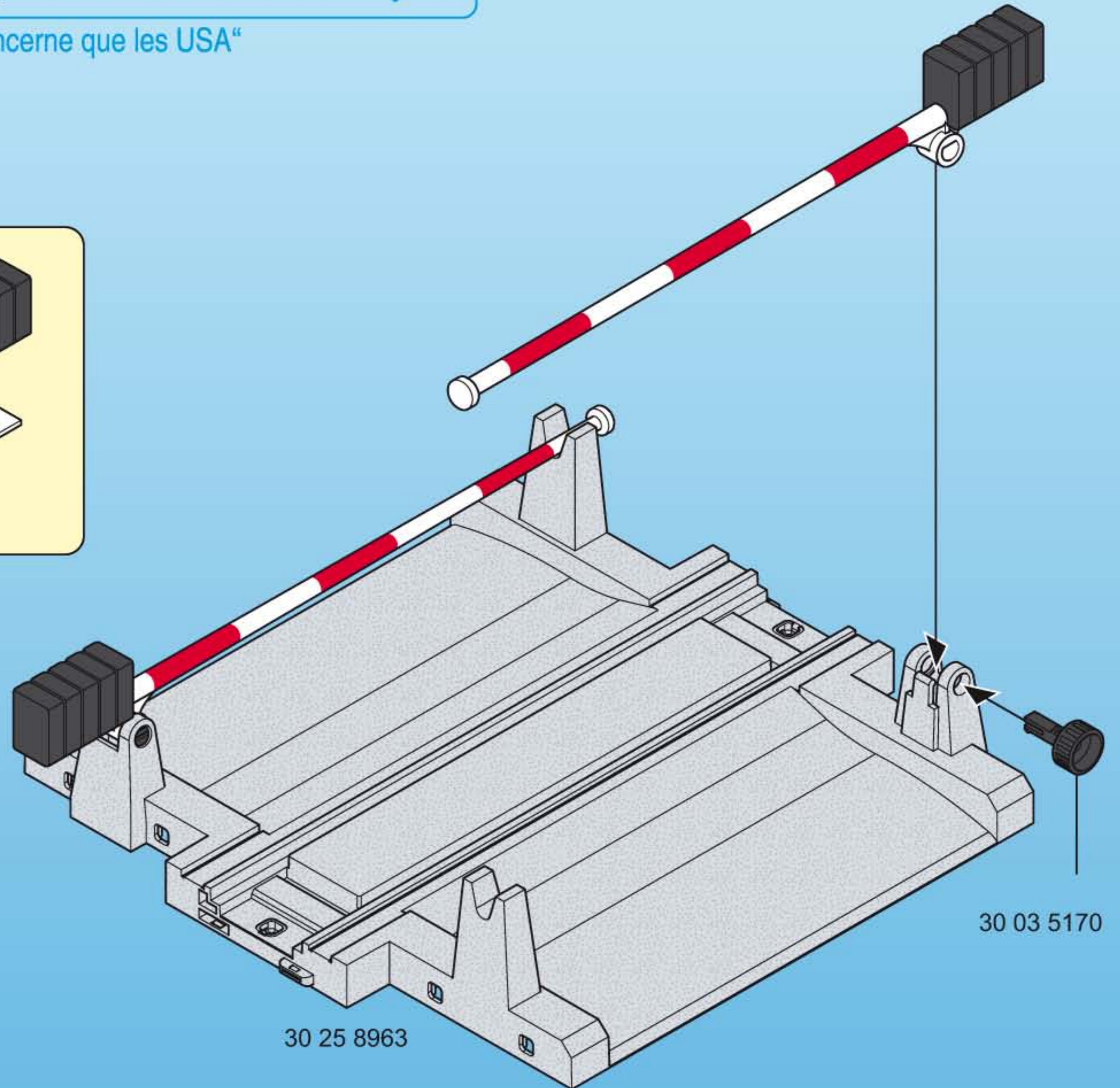
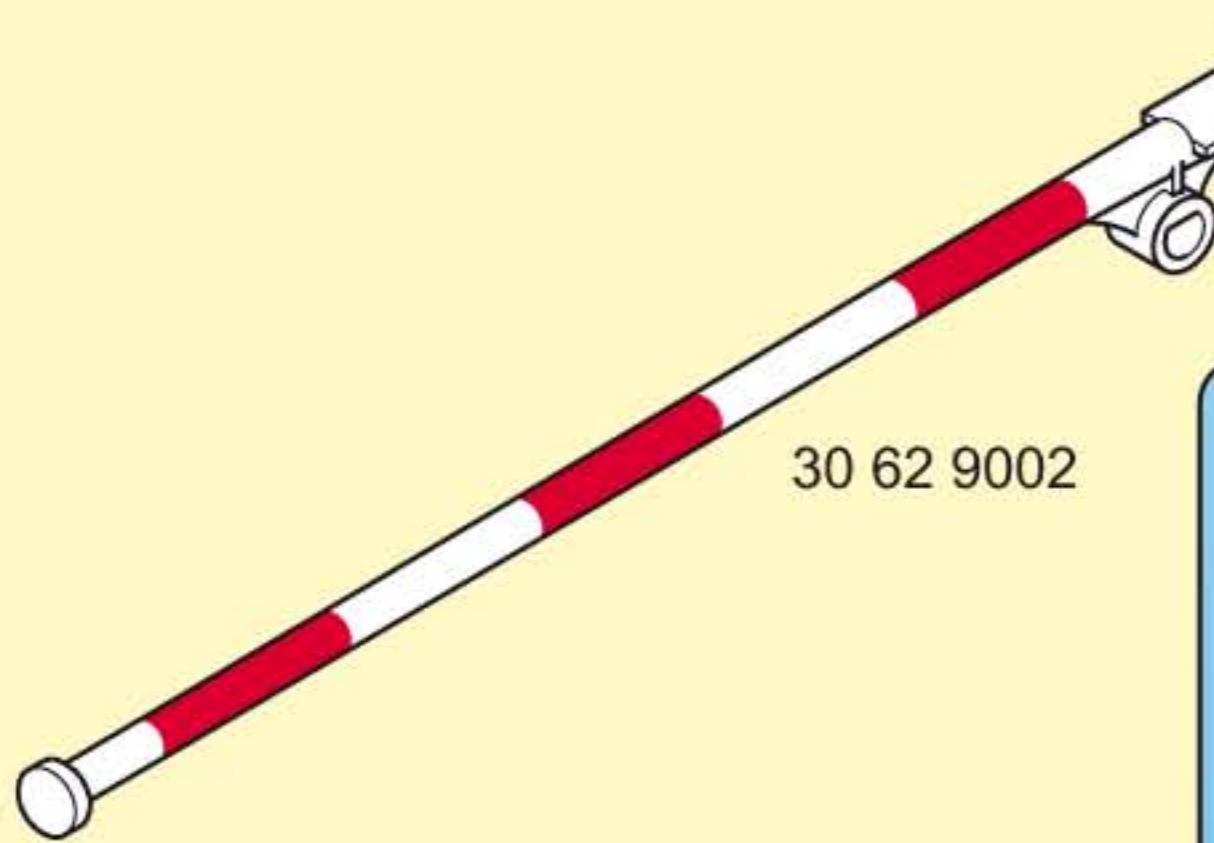
1

2x

30 03 5130



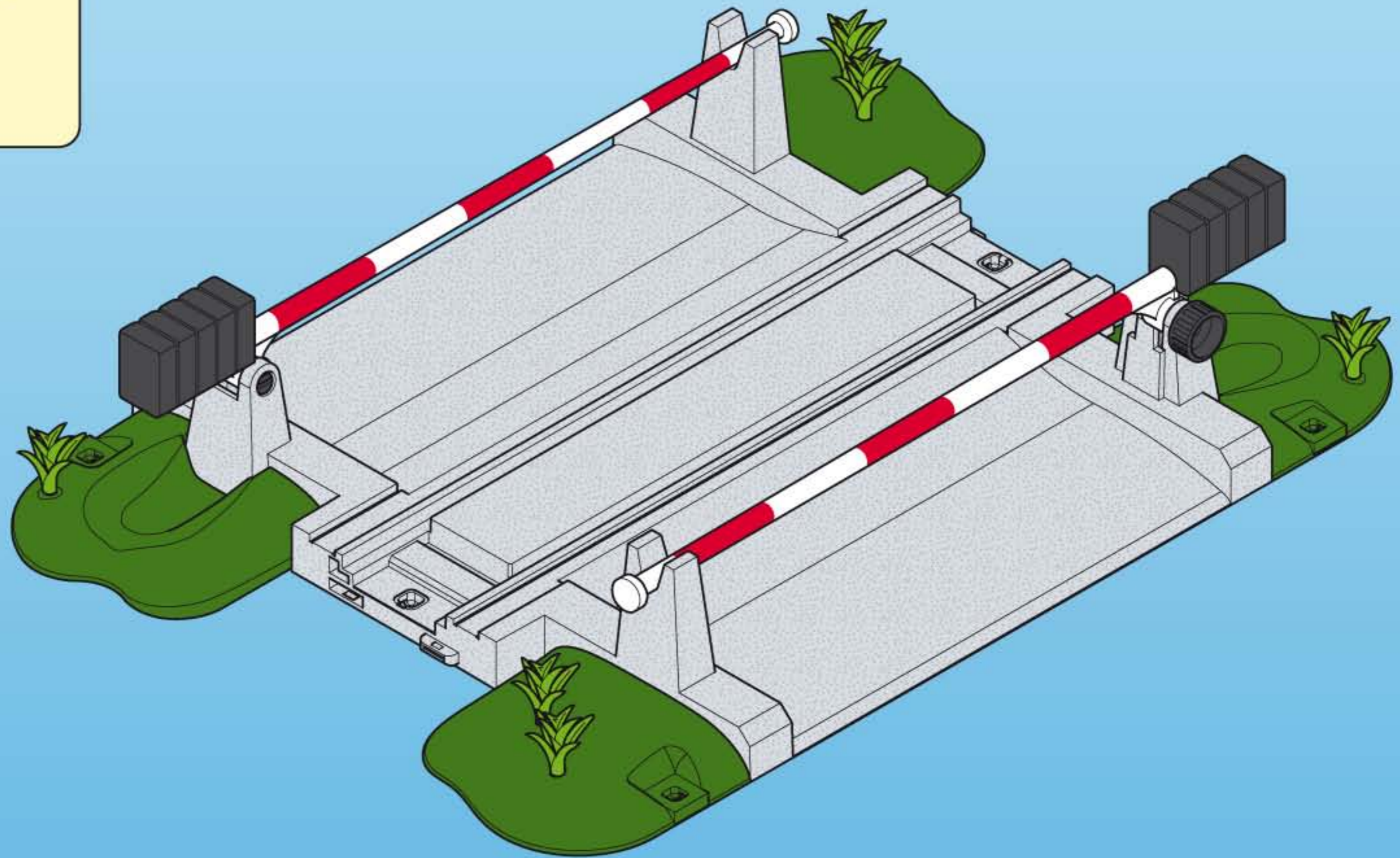
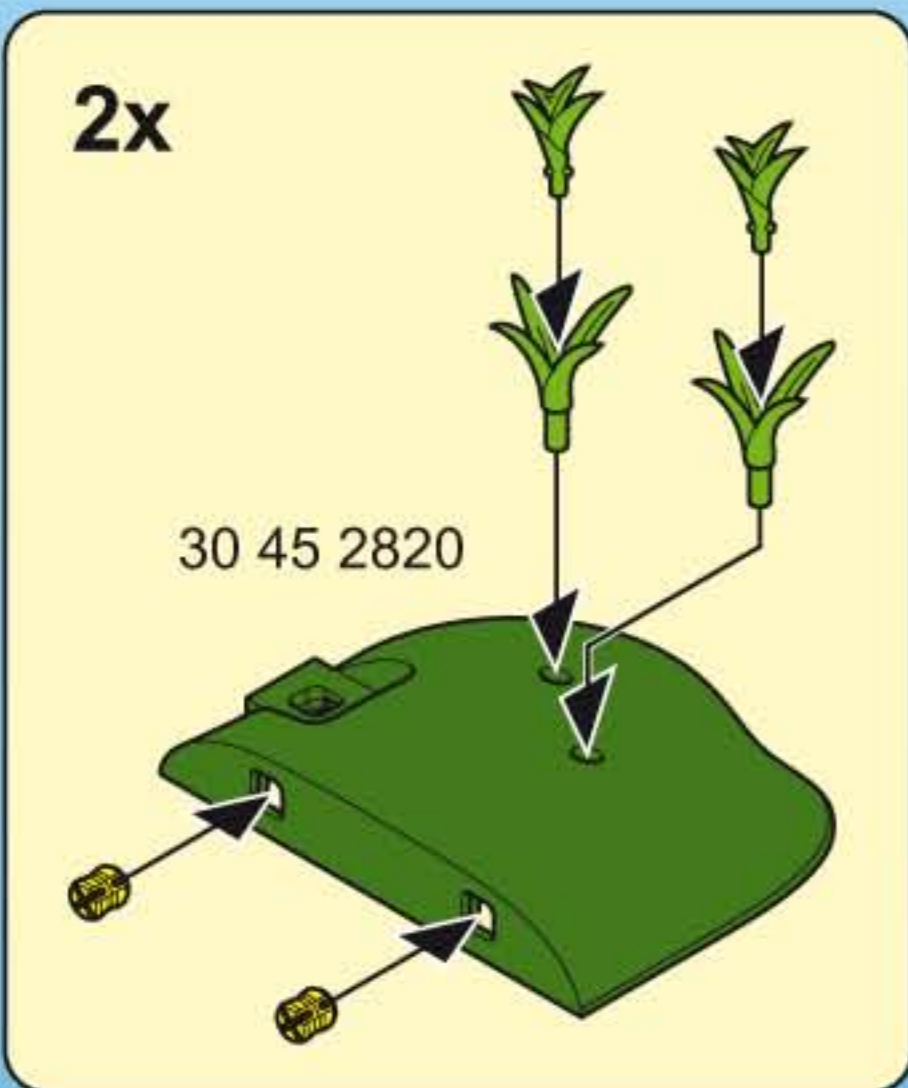
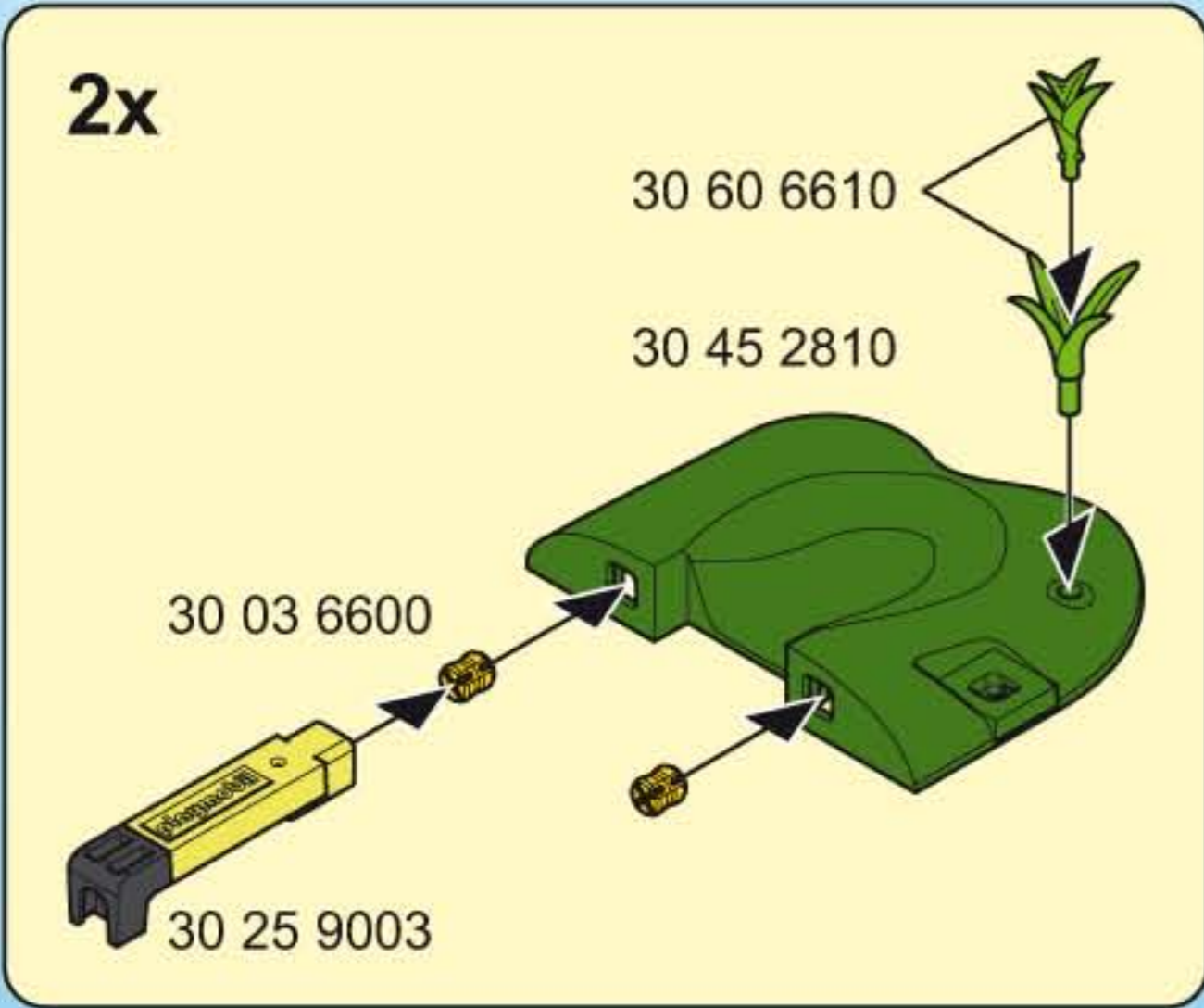
30 62 9002



30 25 8963

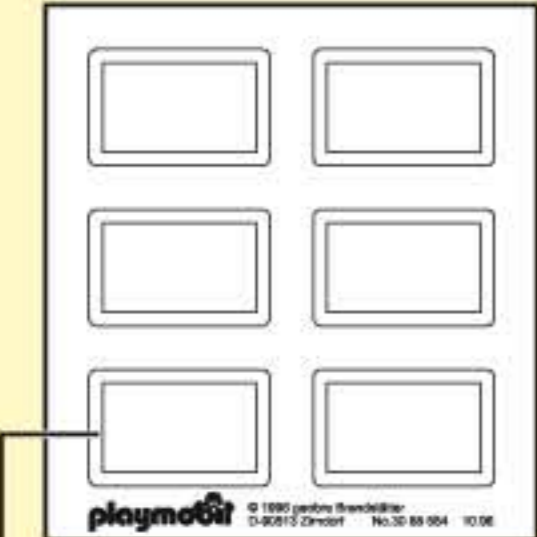
30 03 5170

2



3

4x



30 88 6840

30 03 5360

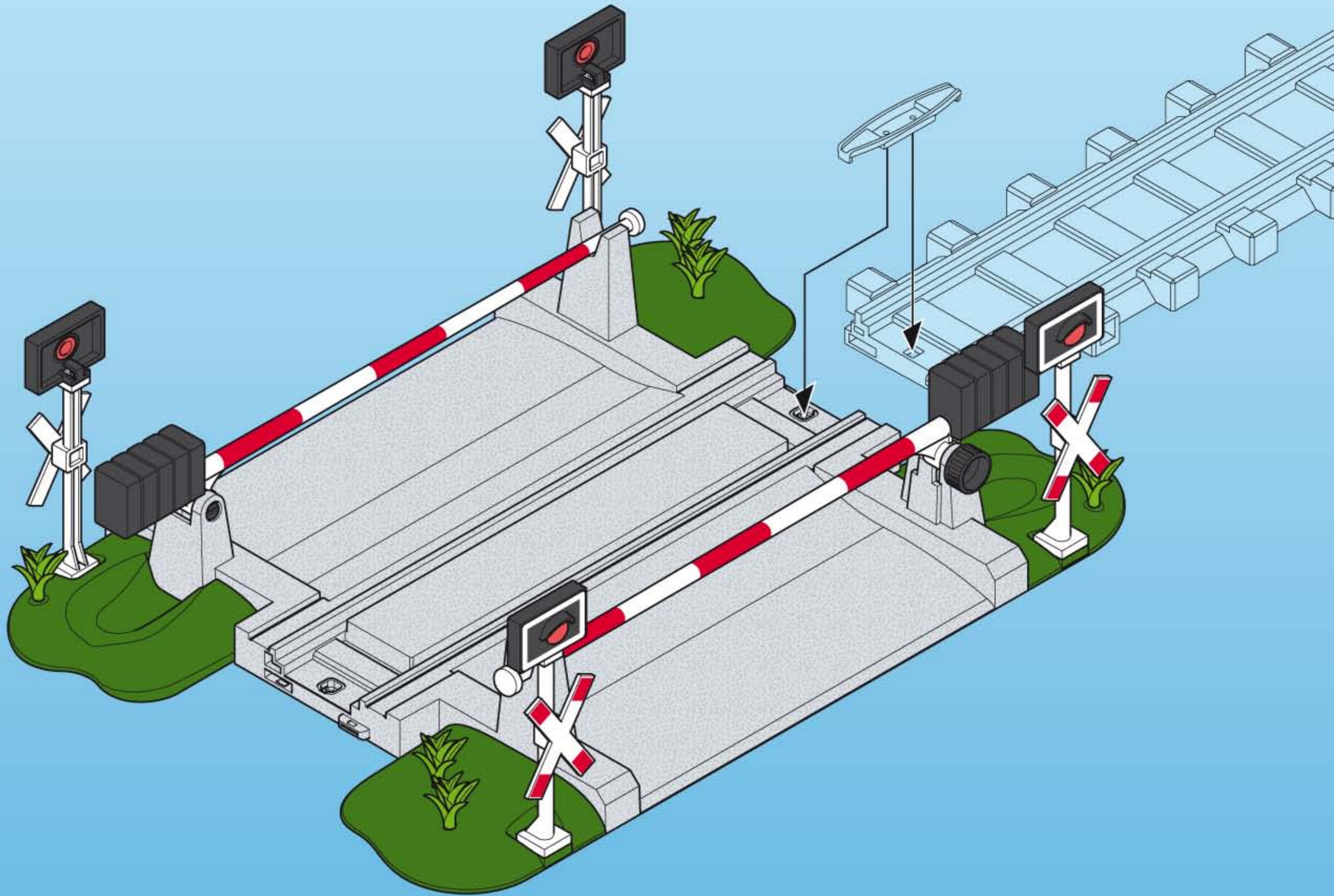
30 03 5370

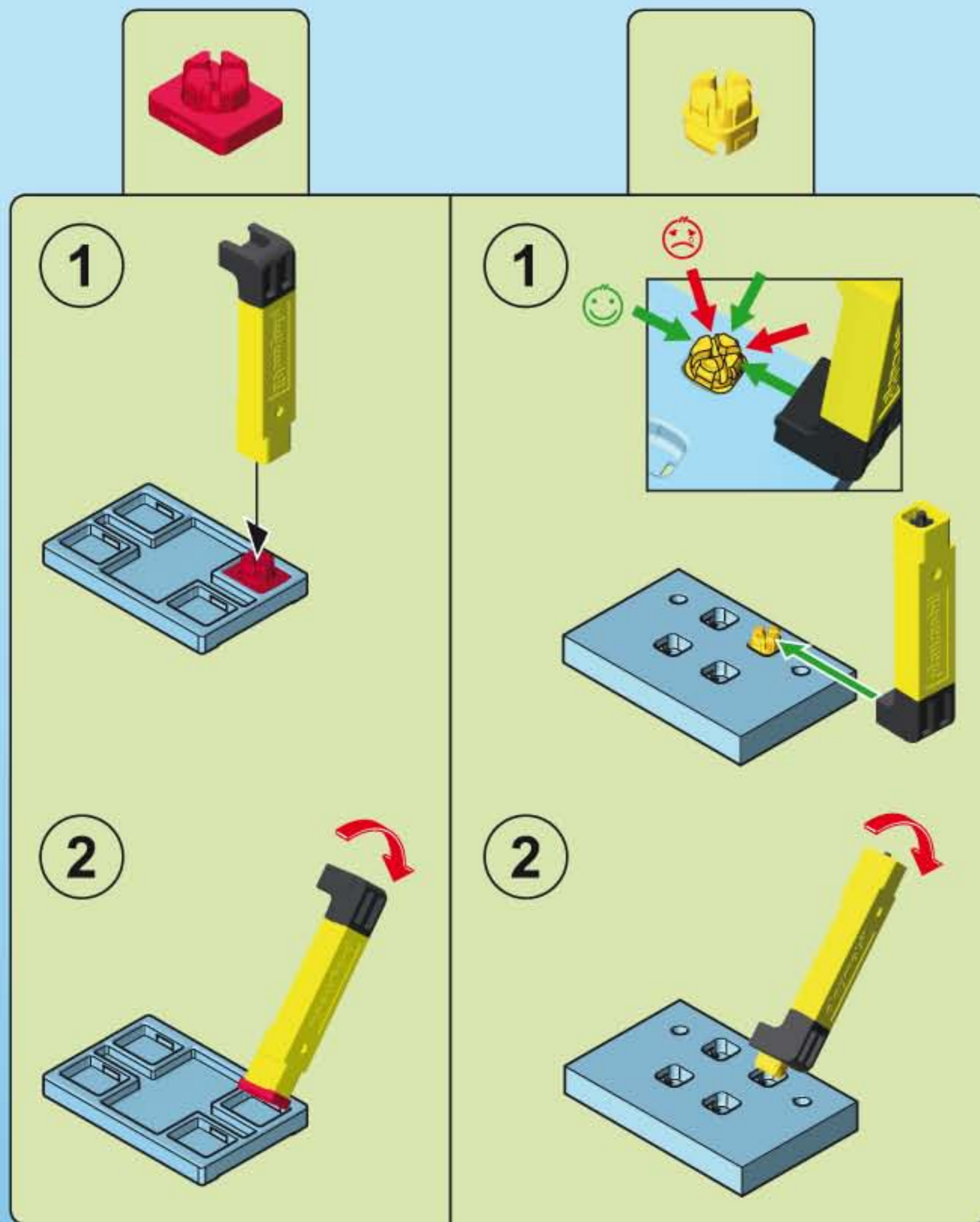
30 03 5350

30 63 5660

30 09 6900

The diagram shows a list of parts for step 3. At the top, a 2x3 grid of six white rectangular plates is shown, with a line pointing to the bottom-left plate. Below this, a vertical assembly sequence is shown: a black rectangular plate (30 03 5360) with a red pin (30 03 5370) inserted into its center. This assembly is then attached to a white vertical post (30 03 5350) which has a red and white striped 'X' sign (30 63 5660) attached to its side. The post is then secured to a yellow and black base (30 09 6900) with a red pin.





Serviceadressen finden Sie in allen Playmobil-Prospekten

Addresses of Customer Service Departments are shown in all Playmobil catalogues

L'adresse du service consommateurs est indiquée dans tous les catalogues Playmobil

Troverete gli indirizzi dei centri di assistenza in tutti i cataloghi Playmobil

In alle PLAYMOBIL catalogi vindt u het adres van onze klantendienst.

Las Direcciones de los Departamentos de Servicio al Consumidor se encuentran en todos los catálogos Playmobil

Η διεύθυνση του Γραφείου Εξυπηρέτησης Καταναλωτών PLAYMOBIL βρίσκεται σε όλους τους καταλόγους PLAYMOBIL.

pronounce: plāy-mō-bēēl